

# STAINLESS STEEL and PVC ROLLERS

Heinrich Brothers, Inc.  
Phone 724.969.1188

## 1 in. O.D. x 16 ga. Stainless Steel Rollers

Roller Part Number		Tube Material	Axle	Drive Options	Corrosion Type	Bearing Part Number
Spring Retained	Pin Retained					
45289	Upon Request	Stainless Steel	1/4 Dia.	Gravity	D Class	102245-O
45290	Upon Request	Stainless Steel	5/16 Hex	Gravity	D Class	102152-O

## Roller Capacity Chart (lbs.)\*

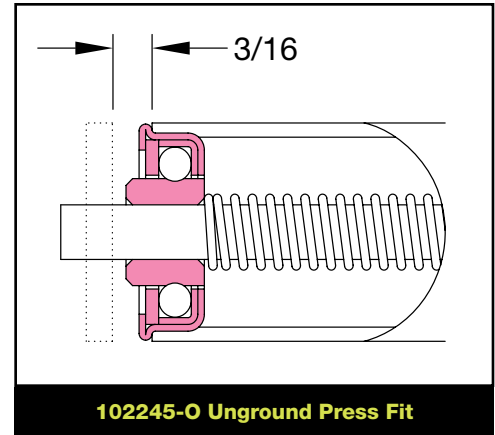
Between Frame (BF) Inches	Bearing Part Number	
	102245-O	102152-O
6	60	60
9	60	60
12	59	59
15	59	59
18	59	59
21	56	59
24	47	59
27	40	59
30	34	58
33	28	58
36	23	58
39	18	58

## 1 in. Pipe Rollers (1.315 in. O.D.)

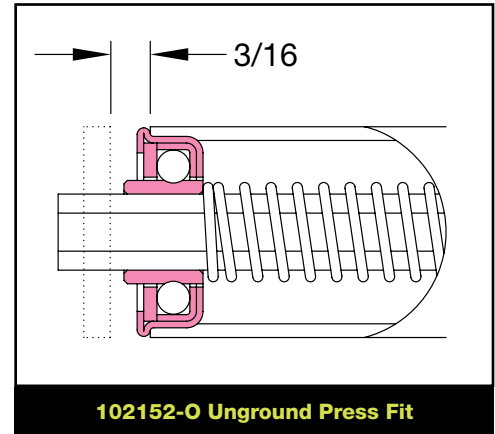
Roller Part Number		Tube Material	Axle	Drive Options	Corrosion Type	Bearing Part Number
Spring Retained	Pin Retained					
43460	43459	SCH 40 PVC**	5/16 Hex SS	Gravity	D Class	114625

## Roller Capacity Chart (lbs.)\*

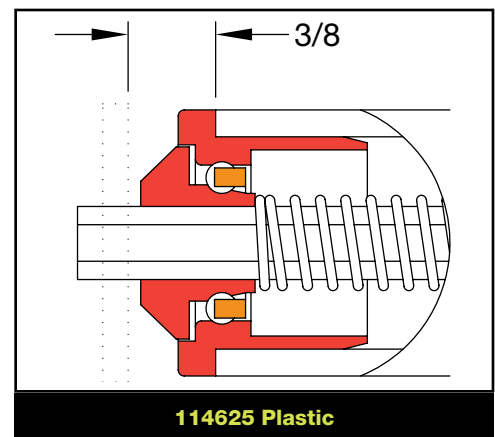
Between Frame (BF) Inches	Bearing Part Number
	114625 SCH 40 PVC**
6	80
9	80
12	68
15	54
18	44
21	37
24	30
27	23
30	18
33	15
36	12
39	10



**102245-O Unground Press Fit**



**102152-O Unground Press Fit**



**114625 Plastic**

\*The dimension above include 1/16" clearance between the extension on the bearing and the side frame at each end.

\*Larger Between Frames and higher capacities may be achieved with a center support puck.

\*Roller Between Frame lengths available between values shown in the table.

\*Roller Between Frames can be shorter than values shown utilizing pin retention.

\*\*PVC Pipe is Industrial grade. At longer lengths T.I.R. cannot be guaranteed.



Unground



Unground  
Stainless Steel



Semi-Precision



Semi-Precision  
Stainless Steel



Precision



Precision  
Stainless Steel



Plastic



Seals



Shields



Ball Retainer  
(Cage)



Keeper  
Bar

### Standard Part Numbering System

Example: 27369 - 17  
 Roller Part    BF  
 Number