

STAINLESS STEEL and PVC ROLLERS

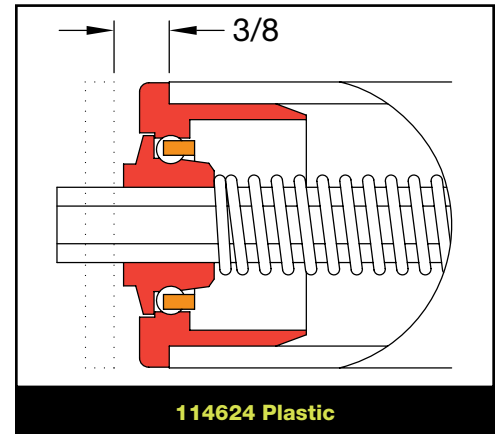
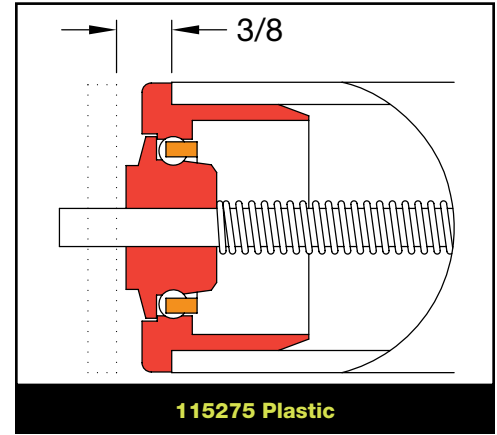
Heinrich Brothers, Inc.
Phone 724.969.1188

1 1/2 in. Pipe Rollers (1.9 in. O.D.)

Roller Part Number		Tube Material	Axle	Drive Options	Corrosion Type	Bearing Part Number
Spring Retained	Pin Retained					
45099	Upon Request	SCH 40 PVC**	1/4 Dia. SS	Gravity	D Class	115275
43462	43461	SCH 40 PVC**	7/16 Hex SS	Gravity	D Class	114624

Roller Capacity Chart (lbs.)*

Between Frame (BF) Inches	Bearing Part Number	
	115275 SCH 40 PVC**	114624 SCH 40 PVC**
6	80	80
12	80	80
18	54	79
24	38	79
30	27	63
36	18	44
42	11	32
48	N/A	23
54	N/A	18
60	N/A	14



*The dimension above include 1/16" clearance between the extension on the bearing and the side frame at each end.

*Larger Between Frames and higher capacities may be achieved with a center support puck.

*Roller Between Frame lengths available between values shown in the table.

*Roller Between Frames can be shorter than values shown utilizing pin retention.

**PVC Pipe is Industrial grade. At longer lengths T.I.R. cannot be guaranteed.



Unground



Unground
Stainless Steel



Semi-Precision



Semi-Precision
Stainless Steel



Precision



Precision
Stainless Steel



Plastic



Seals



Shields



Ball Retainer
(Cage)



Keeper
Bar

Standard Part Numbering System

Example: 27369 - 17
 Roller Part Number
 BF

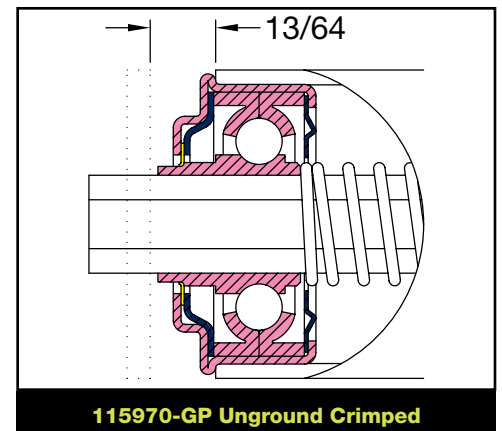
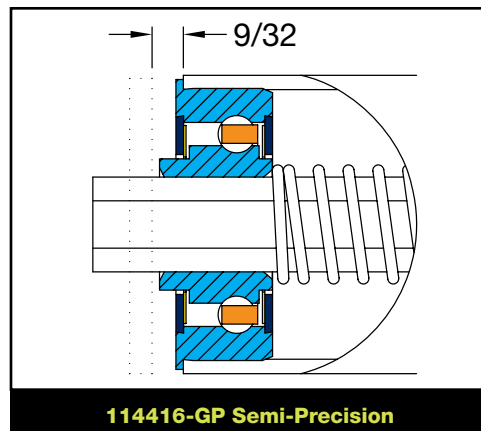
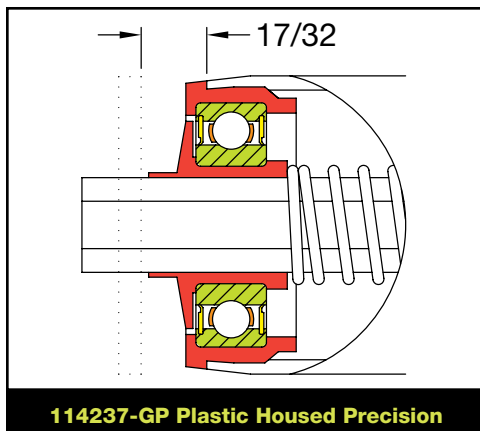
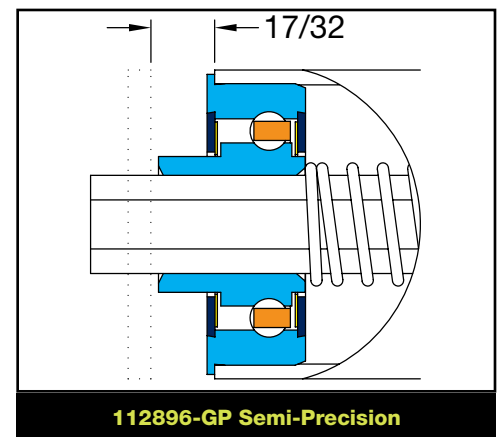
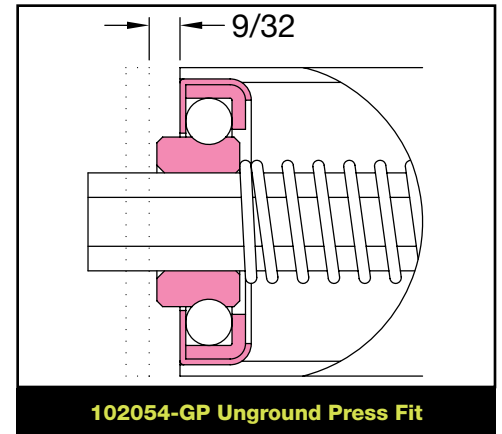
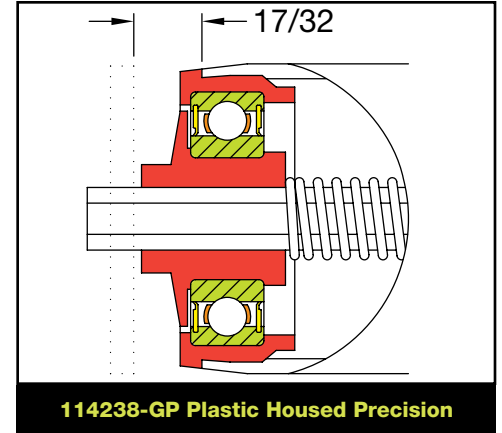
STAINLESS STEEL and PVC ROLLERS

2 1/2 in. O.D. x 11 ga. Stainless Steel Rollers

Roller Part Number		Tube Material	Axle	Drive Options	Corrosion Type	Bearing Part Number
Spring Retained	Pin Retained					
42415	42414	Stainless Steel	7/16 Hex SS	Gravity	P Class	114238-GP
40508	40507	Stainless Steel	11/16 Hex Mild Steel	Gravity	D Class	102054-GP
40510	40509	Stainless Steel	11/16 Hex Mild Steel	Gravity	D Class	112896-GP
40512	40511	Stainless Steel	11/16 Hex Mild Steel	40A22 Sprockets	D Class	
40514	40513	Stainless Steel	11/16 Hex Mild Steel	50A17 Sprockets	D Class	
40516	40515	Stainless Steel	11/16 Hex Mild Steel	60A15 Sprockets	D Class	
45268	45270	Stainless Steel	11/16 Hex SS	Gravity	P Class	115970-GP
44889	44888	Stainless Steel	11/16 Hex SS	Gravity	P Class	114416-GP
44891	44890	Stainless Steel	11/16 Hex SS	40A22 Sprockets	P Class	
44893	44892	Stainless Steel	11/16 Hex SS	50A17 Sprockets	P Class	
44895	44894	Stainless Steel	11/16 Hex SS	60A15 Sprockets	P Class	
42413	42412	Stainless Steel	11/16 Hex SS	Gravity	P Class	

Roller Capacity Chart (lbs.)*

Between Frame (BF) Inches	Bearing Part Number					
	114238-GP	102054-GP	112896-GP	115970-GP	114416-GP	114237-GP
6	330	649	1349	849	699	599
12	327	647	1344	847	697	597
18	323	646	1300	846	696	596
24	235	644	946	844	694	594
30	178	642	736	843	692	593
36	139	641	594	812	691	591
42	109	639	490	674	612	590
48	84	638	408	568	510	588
54	62	636	340	480	425	563
60	42	635	282	406	351	477
66	24	633	231	341	285	401
72	N/A	544	183	282	225	333
78	N/A	459	139	228	168	270
84	N/A	385	97	177	114	211
90	N/A	294	56	128	61	154
96	N/A	207	N/A	80	N/A	99
102	N/A	122	N/A	34	N/A	45
108	N/A	37	N/A	N/A	N/A	N/A



*Larger Between Frames and higher capacities may be achieved with a center support puck.

*Roller Between Frame lengths available between values shown in the table.

*Roller Between Frames can be shorter than values shown utilizing pin retention.

**PVC Pipe is Industrial grade. At longer lengths T.I.R. cannot be guaranteed.

Standard Part Numbering System

Example: 27369 - 17

Roller Part Number BF



Unground



Unground Stainless Steel



Semi-Precision



Semi-Precision Stainless Steel



Precision



Precision Stainless Steel



Plastic



Seals



Shields



Ball Retainer (Cage)



Keeper Bar