

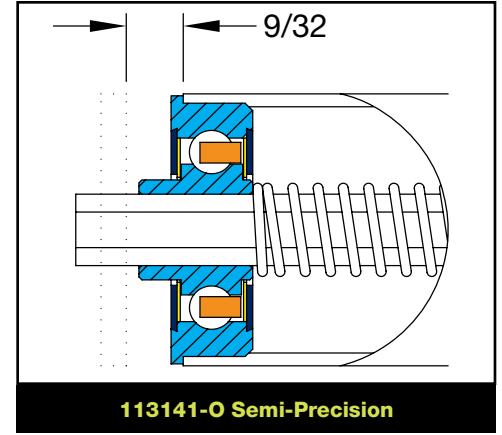
# STAINLESS STEEL and PVC ROLLERS

## 1 3/8 in. O.D. x 16 ga. Stainless Steel Rollers

Roller Part Number		Tube Material	Axle	Drive Options	Corrosion Type	Bearing Part Number
Spring Retained	Pin Retained					
42007	42008	Stainless Steel	5/16 Hex SS	Gravity	P Class	113141-O

### Roller Capacity Chart (lbs.)\*

Between Frame (BF) Inches	Bearing Part Number
6	182
9	181
12	171
15	133
18	108
21	90
24	76
27	65
30	55
33	47
36	40
39	33



\*The dimension above include 1/16" clearance between the extension on the bearing and the side frame at each end.

\*Larger Between Frames and higher capacities may be achieved with a center support puck.

\*Roller Between Frame lengths available between values shown in the table.

\*Roller Between Frames can be shorter than values shown utilizing pin retention.

\*\*PVC Pipe is Industrial grade. At longer lengths T.I.R. cannot be guaranteed.

### Standard Part Numbering System

Example: 27369 - 17  
 Roller Part Number    BF



Unground



Unground Stainless Steel



Semi-Precision



Semi-Precision Stainless Steel



Precision



Precision Stainless Steel



Plastic



Seals



Shields



Ball Retainer (Cage)



Keeper Bar