

STAINLESS STEEL and PVC ROLLERS

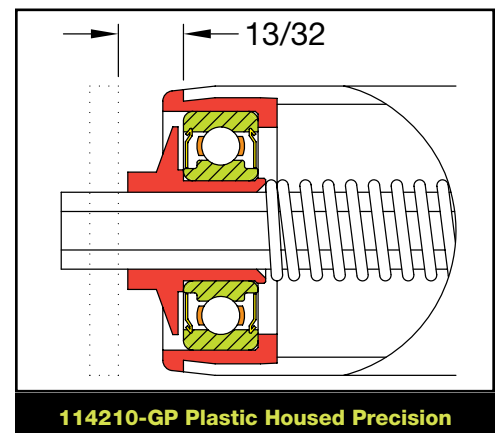
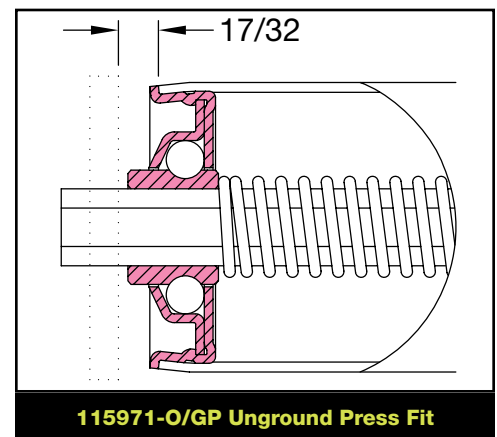
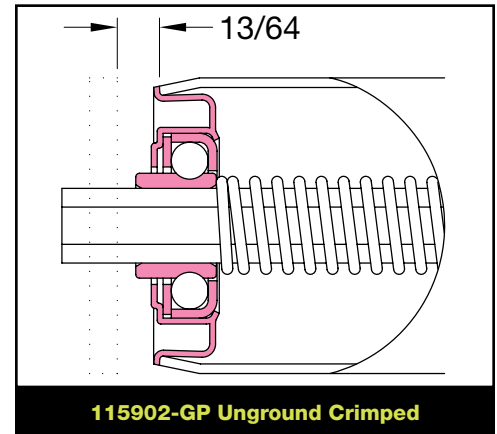
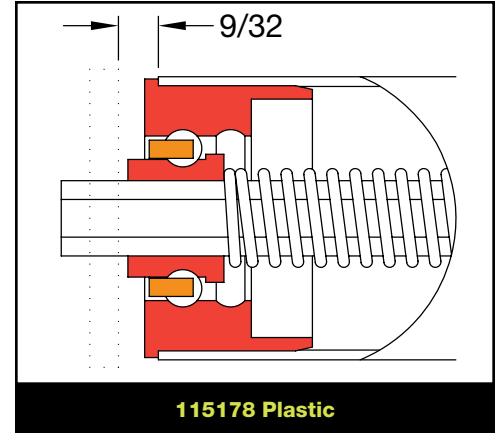
Heinrich Brothers, Inc.
Phone 724.969.1188

1.9 in. O.D. x 16 ga. Stainless Steel Rollers

Roller Part Number		Tube Material	Axle	Drive Options	Corrosion Type	Bearing Part Number
Spring Retained	Pin Retained					
44509	44510	Stainless Steel	7/16 Hex SS	Gravity	P Class	115178
44476	44477	Stainless Steel	7/16 Hex SS	Gravity	D Class	115902-GP
45269	45271	Stainless Steel	7/16 Hex SS	Gravity	P Class	115971-O
45273	45274	Stainless Steel	7/16 Hex SS	Gravity	P Class	115971-GP
45250	45249	Stainless Steel	7/16 Hex SS	Gravity	P Class	114210-GP

Roller Capacity Chart (lbs.)*

Between Frame (BF) Inches	Bearing Part Number			
	115178	115902-GP	115971-O 115971-GP	114210-GP
6	137	259	279	376
12	137	259	279	373
18	136	258	278	369
24	136	257	277	269
30	135	257	277	207
36	134	256	264	164
42	134	233	211	131
48	133	186	169	103
54	132	145	132	80
60	110	109	98	59
66	75	74	67	39
72	42	42	37	20



*Larger Between Frames and higher capacities may be achieved with a center support puck.

*Roller Between Frame lengths available between values shown in the table.

*Roller Between Frames can be shorter than values shown utilizing pin retention.

**PVC Pipe is Industrial grade. At longer lengths T.I.R. cannot be guaranteed.

*The dimension above include 1/16" clearance between the extension on the bearing and the side frame at each end.



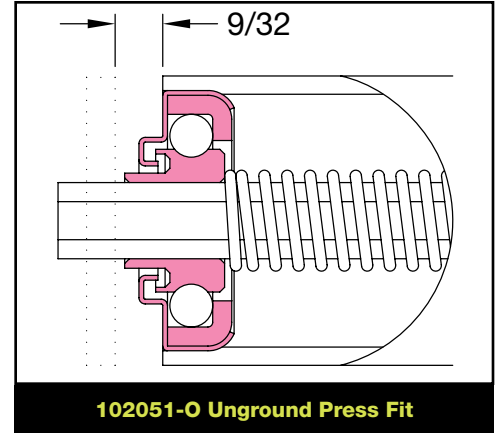
Standard Part Numbering System

Example: 27369 - 17
 Roller Part Number BF

STAINLESS STEEL and PVC ROLLERS

1.9 in. O.D. x 11 ga. Stainless Steel Rollers

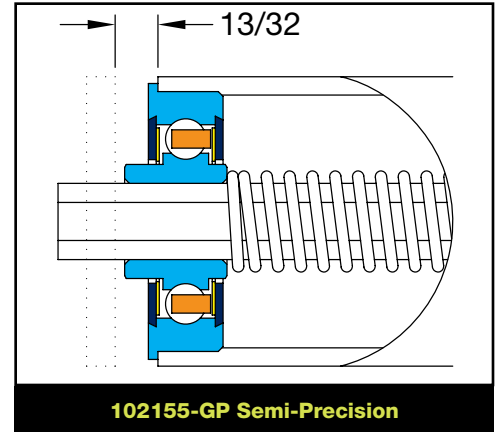
Roller Part Number		Tube Material	Axle	Drive Options	Corrosion Type	Bearing Part Number
Spring Retained	Pin Retained					
28781	28782	Stainless Steel	7/16 Hex Mild Steel	Gravity	D Class	102051-O
Upon Request	45272	Stainless Steel	7/16 Hex Mild Steel	Gravity	D Class	102155-GP
44995	44994	Stainless Steel	7/16 Hex SS	Gravity	P Class	110244-GP
44997	44996	Stainless Steel	7/16 Hex SS	40A18 Sprockets	P Class	
44999	44998	Stainless Steel	7/16 Hex SS	50A15 Sprockets	P Class	
45001	45000	Stainless Steel	7/16 Hex SS	60A13 Sprockets	P Class	114210-GP
42269	42268	Stainless Steel	7/16 Hex SS	Gravity	P Class	
45188	Upon Request	Stainless Steel	7/16 Hex SS	2 Grooves	P Class	



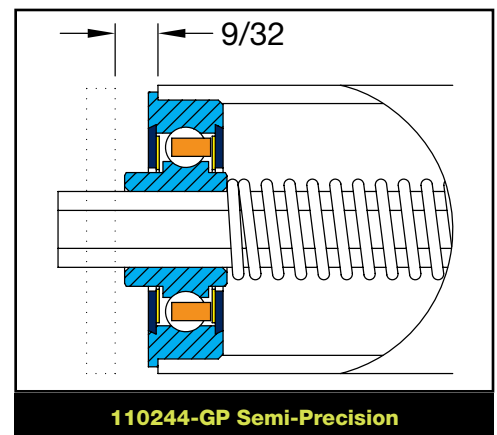
102051-O Unground Press Fit

Roller Capacity Chart (lbs.)*

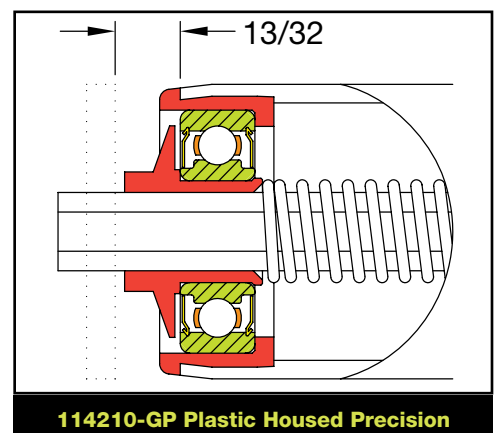
Between Frame (BF) Inches	Bearing Part Number			
	102051-O	102155-GP	110244-GP	114210-GP
6	299	566	283	376
12	298	518	282	372
18	297	332	281	368
24	296	239	280	267
30	293	182	214	205
36	232	141	166	161
42	186	109	129	127
48	148	83	97	99
54	115	59	69	76
60	85	38	43	54
66	58	N/A	18	34
72	32	N/A	N/A	N/A



102155-GP Semi-Precision



110244-GP Semi-Precision



114210-GP Plastic Housed Precision

*The dimension above include 1/16" clearance between the extension on the bearing and the side frame at each end.

*Larger Between Frames and higher capacities may be achieved with a center support puck.

*Roller Between Frame lengths available between values shown in the table.

*Roller Between Frames can be shorter than values shown utilizing pin retention.

**PVC Pipe is Industrial grade. At longer lengths T.I.R. cannot be guaranteed.

Standard Part Numbering System

Example: $\frac{27369}{\text{Roller Part Number}} - \frac{17}{\text{BF}}$



Unground



Unground Stainless Steel



Semi-Precision



Semi-Precision Stainless Steel



Precision



Precision Stainless Steel



Plastic



Seals



Shields



Ball Retainer (Cage)



Keeper Bar