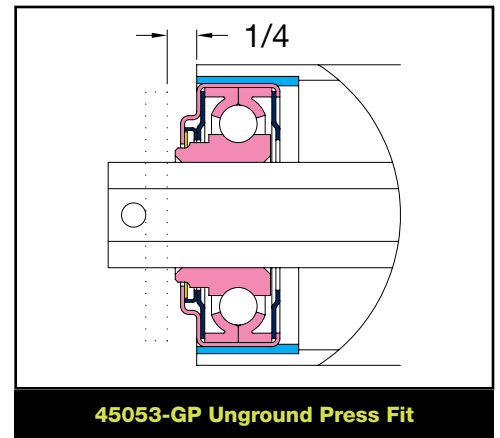
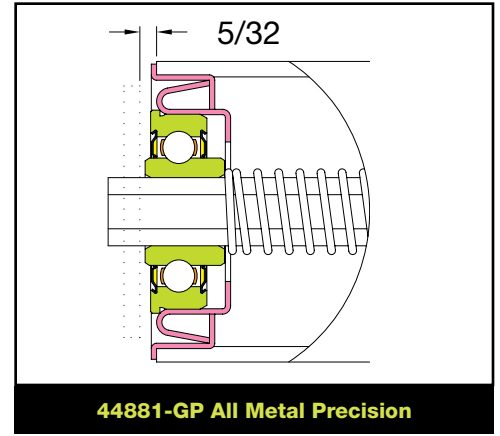
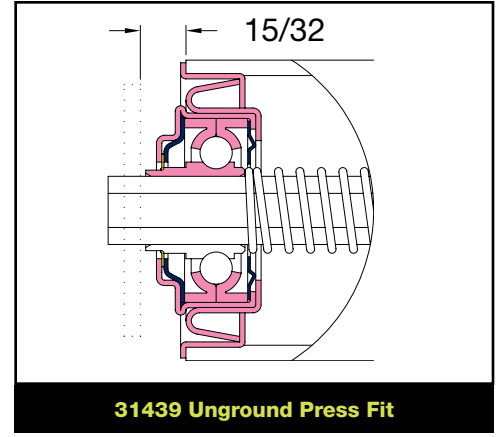


# STRAIGHT ROLLERS

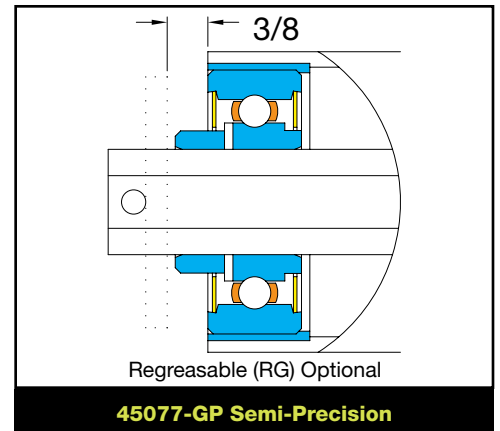
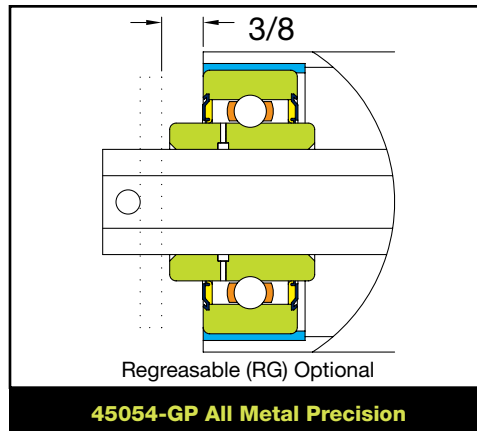
## 3 1/2 in. O.D. x 7 Ga. Rollers

Roller Part Number		Tube Material	Axle	Drive Options	Bearing Part Number
Spring Retained	Pin Retained				
13948	13947	Mild Steel	11/16 Hex	Gravity	31439
44882	44883	Mild Steel	11/16 Hex	Gravity	44881-GP
N/A	45055	Mild Steel	1-1/16 Hex	Gravity	45053-GP
N/A	45056	Mild Steel	1-1/16 Hex	60A20 Sprockets	
N/A	45057	Mild Steel	1-1/16 Hex	80A16 Sprockets	45077-GP
N/A	45076	Mild Steel	1-1/16 Hex	Gravity	
N/A	45075	Mild Steel	1-1/16 Hex	60A20 Sprockets	45054-GP
N/A	45074	Mild Steel	1-1/16 Hex	80A16 Sprockets	
N/A	45059	Mild Steel	1-1/16 Hex	Gravity	45054-GP
N/A	45060	Mild Steel	1-1/16 Hex	60A20 Sprockets	
N/A	45061	Mild Steel	1-1/16 Hex	80A16 Sprockets	



## Roller Capacity Chart (lbs.)\*

Between Frame (BF) Inches	Bearing Part Number				
	31439	44881-GP	45053-GP	45077-GP	45054-GP
6	847	1997	1203	4127	4792
12	844	1994	1200	4124	4781
18	841	1991	1197	4121	4764
24	838	1906	1194	4118	4743
30	835	1491	1190	4114	4135
36	831	1208	1187	3418	3385
42	714	998	1184	2875	2847
48	599	832	1181	2462	2438
54	504	695	1178	2132	2111
60	424	576	1174	1860	1842
66	354	470	1171	1629	1612
72	291	373	1168	1427	1412
78	232	282	1165	1246	1233
84	177	196	1162	1081	1070
90	125	111	1158	929	919
96	74	N/A	1155	786	778
102	N/A	N/A	1152	650	643
108	N/A	N/A	1027	519	513
114	N/A	N/A	912	392	388
120	N/A	N/A	771	268	265
126	N/A	N/A	600	146	144
132	N/A	N/A	432	N/A	N/A
138	N/A	N/A	267	N/A	N/A
144	N/A	N/A	104	N/A	N/A



\*Larger Between Frames and higher capacities may be achieved with a center support puck.

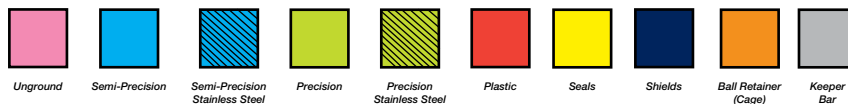
\*Roller Between Frame lengths available between values shown in the table.

\*Roller Between Frames can be shorter than values shown utilizing pin retention.

### Standard Part Numbering System

Example: 27369 - 17

Roller Part Number BF

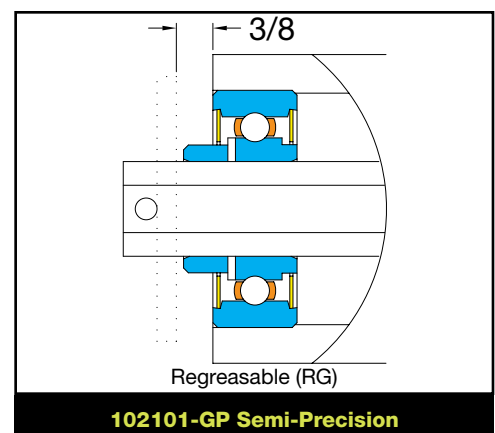
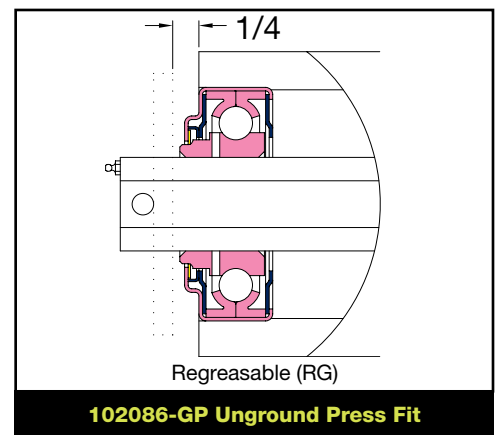
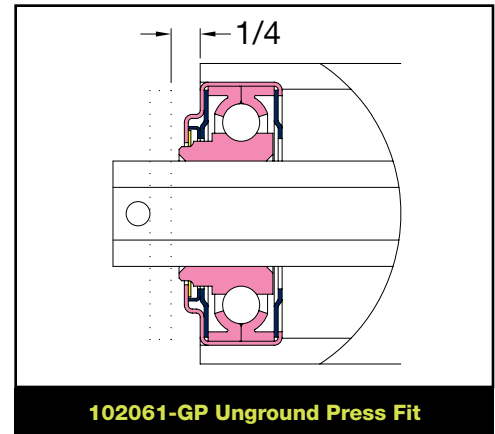
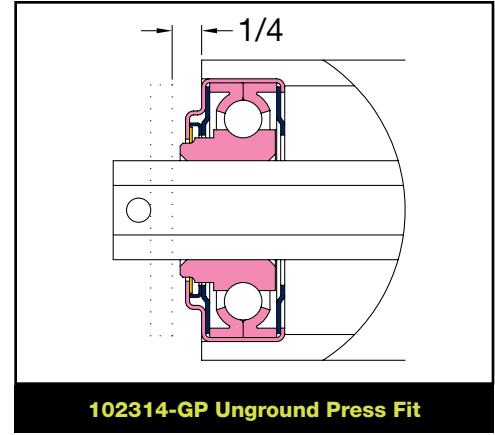


\*The dimension above include 1/16" clearance between the extension on the bearing and the side frame at each end.

# STRAIGHT ROLLERS

## 3 1/2 in. O.D. x .300 Wall Rollers

Roller Part Number		Tube Material	Axle	Drive Options	Bearing Part Number
D-End Retained	Pin Retained				
N/A	31444	Mild Steel	1 Hex	Gravity	102314-GP
N/A	11530	Mild Steel	1-1/16 Hex	Gravity	102061-GP
N/A	31285	Mild Steel	1-1/16 Hex	60A20 Sprockets	
N/A	38740	Mild Steel	1-1/16 Hex	80A16 Sprockets	102086-GP
N/A	22683	Mild Steel	1-1/16 Hex (RG)	Gravity	
N/A	17319	Mild Steel	1-1/16 Hex	Gravity	102101-GP
N/A	30085	Mild Steel	1-1/16 Hex	60A20 Sprockets	
N/A	39050	Mild Steel	1-1/16 Hex	80A16 Sprockets	
N/A	39631	Mild Steel	1-1/16 Hex (RG)	Gravity	
N/A	39632	Mild Steel	1-1/16 Hex (RG)	60A20 Sprockets	
N/A	39633	Mild Steel	1-1/16 Hex (RG)	80A16 Sprockets	



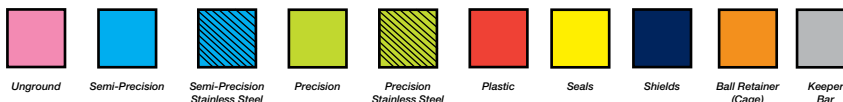
## Roller Capacity Chart (lbs.)\*

Between Frame (BF) Inches	Bearing Part Number			
	102314-GP	102061-GP	102086-GP	102101-GP
6	1201	1201	1201	4126
12	1196	1196	1196	4120
18	1191	1191	1191	4115
24	1186	1186	1186	4110
30	1181	1181	1181	4105
36	1176	1176	1176	3408
42	1171	1171	1171	2863
48	1165	1165	1165	2448
54	1160	1160	1160	2117
60	1155	1155	1155	1843
66	1150	1150	1150	1609
72	1145	1145	1145	1405
78	1140	1140	1140	1222
84	1135	1135	1135	1056
90	1130	1130	1130	902
96	1090	1124	1124	757
102	924	1119	1119	619
108	766	1093	1093	486
114	613	910	910	357
120	464	733	733	231
126	319	560	560	107
132	175	391	391	N/A
138	N/A	161	161	N/A

\*Larger Between Frames and higher capacities may be achieved with a center support puck.

\*Roller Between Frame lengths available between values shown in the table.

\*Roller Between Frames can be shorter than values shown utilizing pin retention.



\*The dimension above include 1/16" clearance between the extension on the bearing and the side frame at each end.

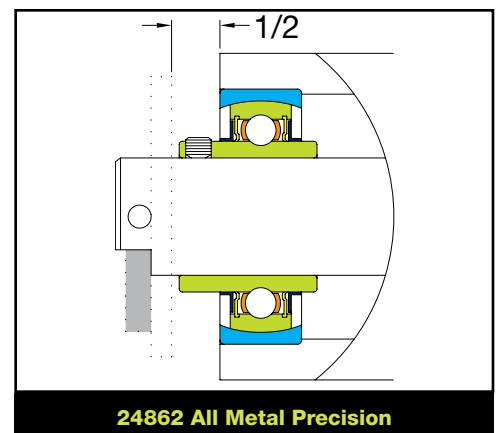
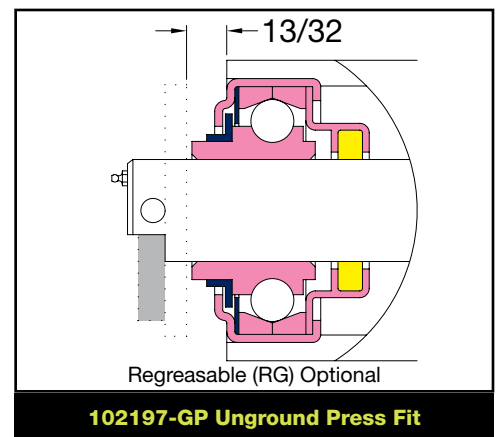
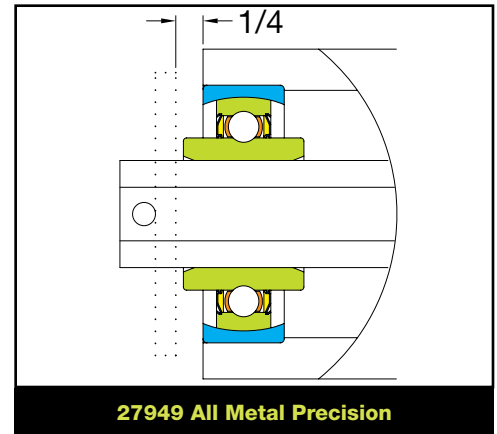
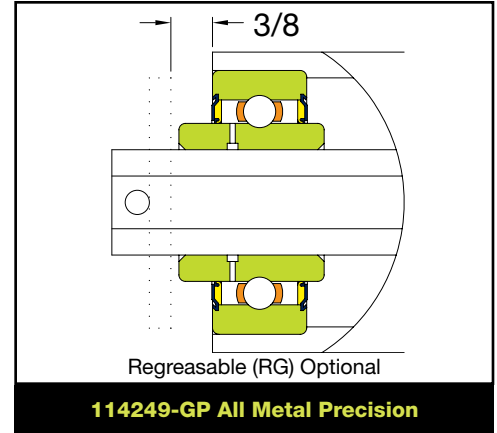
## Standard Part Numbering System

Example: 27369 - 17  
 Roller Part Number    BF

# STRAIGHT ROLLERS

## 3 1/2 in. O.D. x .300 Wall Rollers

Roller Part Number		Tube Material	Axle	Drive Options	Bearing Part Number
D-End Retained	Pin Retained				
N/A	43621	Mild Steel	1-1/16 Hex	Gravity	114249-GP
N/A	43363	Mild Steel	1-1/16 Hex	60A20 Sprockets	
N/A	43364	Mild Steel	1-1/16 Hex	80A16 Sprockets	
N/A	28545	Mild Steel	1-1/8 Hex	Gravity	27949
N/A	40747	Mild Steel	1-1/8 Hex	60A20 Sprockets	
N/A	40749	Mild Steel	1-1/8 Hex	80A16 Sprockets	
28546	N/A	Mild Steel	1-3/16 Dia. (RG)	Gravity	102197-GP
39258	N/A	Mild Steel	1-3/16 Dia.	60A20 Sprockets	
39259	N/A	Mild Steel	1-3/16 Dia.	80A16 Sprockets	
23238	N/A	Mild Steel	1-7/16 Dia.	Gravity	24862
39261	N/A	Mild Steel	1-7/16 Dia.	60A20 Sprockets	
39262	N/A	Mild Steel	1-7/16 Dia.	80A16 Sprockets	



## Roller Capacity Chart (lbs.)\*

Between Frame (BF) Inches	Bearing Part Number			
	114249-GP	27949	102197-GP	24862
6	4791	6167	2496	6168
12	4778	6162	2491	6163
18	4759	6157	2485	6158
24	4736	6152	2480	6152
30	4126	6147	2475	6147
36	3375	6142	2470	6142
42	2835	5742	2465	5813
48	2423	5005	2460	5059
54	2095	4432	2455	4475
60	1824	3910	2450	4009
66	1592	3467	2444	3629
72	1390	3085	2439	3312
78	1209	2749	2263	3043
84	1044	2447	2013	2683
90	891	2173	1785	2316
96	748	1919	1575	2016
102	611	1682	1378	1768
108	480	1458	1192	1559
114	352	1243	1015	1383
120	227	1037	844	1231
126	104	836	678	1101
132	N/A	635	516	987
138	N/A	298	356	887
144	N/A	N/A	199	799
150	N/A	N/A	N/A	562
156	N/A	N/A	N/A	172

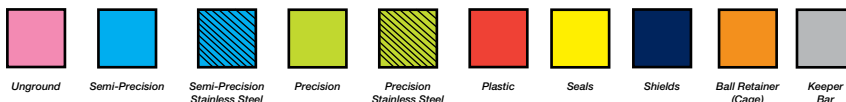
\*Larger Between Frames and higher capacities may be achieved with a center support puck.

\*Roller Between Frame lengths available between values shown in the table.

\*Roller Between Frames can be shorter than values shown utilizing pin retention.

### Standard Part Numbering System

Example: 27369 - 17  
 Roller Part Number BF



\*The dimension above include 1/16" clearance between the extension on the bearing and the side frame at each end.