

STRAIGHT ROLLERS

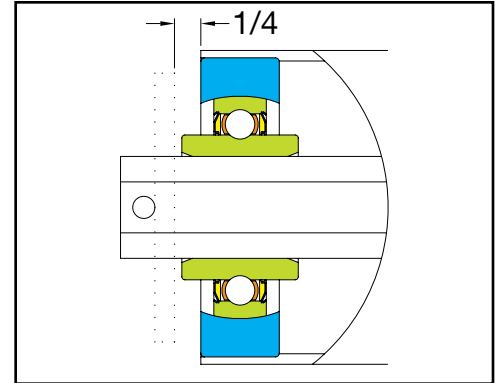
Heinrich Brothers, Inc.
Phone 724.969.1188

4 in. O.D. x 10 ga. Rollers

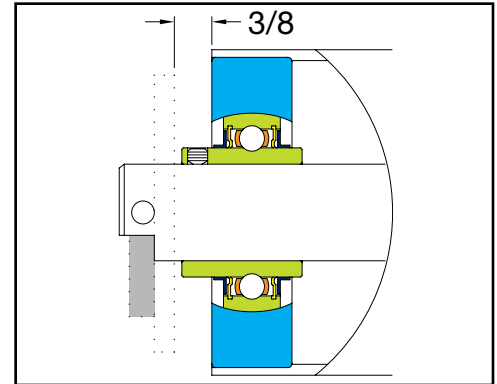
Roller Part Number		Tube Material	Axle	Drive Options	Bearing Part Number
D-End Retained	Pin Retained				
N/A	28548	Mild Steel	1-1/8 Hex	Gravity	27956
28549	N/A	Mild Steel	1-3/16 Dia.	Gravity	27957
45112	N/A	Mild Steel	1-3/8 Dia.	Gravity	45104-GP
45111	N/A	Mild Steel	1-7/16 Dia.	Gravity	45103-GP

Roller Capacity Chart (lbs.)*

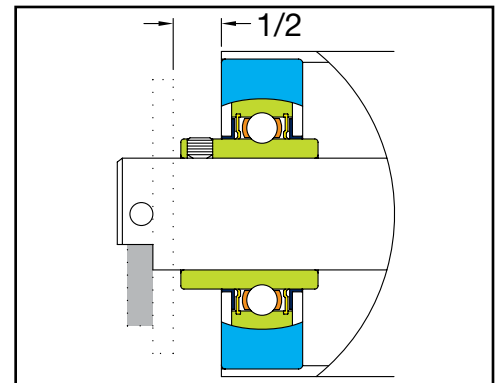
Between Frame (BF) Inches	Bearing Part Number			
	27956	27957	45104-GP	45103-GP
6	6170	4644	6170	6170
12	6167	4641	6167	6167
18	6164	4638	6164	6164
24	6161	4635	6161	6161
30	5564	4633	5661	5661
36	4613	4630	4680	4680
42	3938	3962	3987	3987
48	3434	3452	3471	3471
54	3042	3057	3071	3071
60	2729	2741	2753	2753
66	2473	2483	2493	2493
72	2260	2268	2276	2276
78	2079	2086	2093	2093
84	1924	1930	1936	1936
90	1789	1795	1800	1800
96	1573	1586	1599	1599
102	1384	1395	1406	1406
108	1225	1234	1243	1243
114	1091	1098	1106	1106
120	976	953	989	989
126	876	778	888	888
132	692	608	800	800
138	502	441	723	723
144	314	276	655	655
150	N/A	N/A	595	595
156	N/A	N/A	519	542
162	N/A	N/A	305	494
168	N/A	N/A	N/A	320



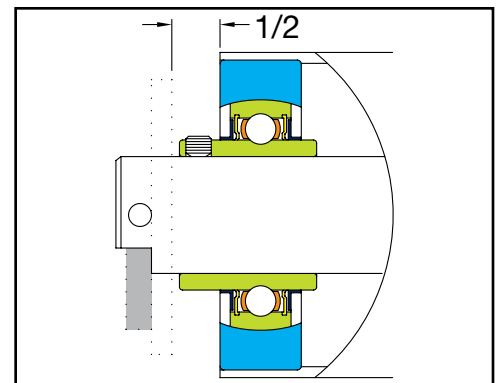
27956 All Metal Precision



27957 All Metal Precision



45104-GP All Metal Precision



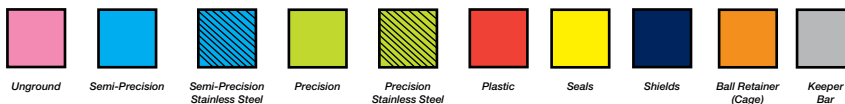
45103-GP All Metal Precision

*The dimension above include 1/16" clearance between the extension on the bearing and the side frame at each end.

*Larger Between Frames and higher capacities may be achieved with a center support puck.

*Roller Between Frame lengths available between values shown in the table.

*Roller Between Frames can be shorter than values shown utilizing pin retention.



Standard Part Numbering System

Example: 27369 - 17
 Roller Part Number BF

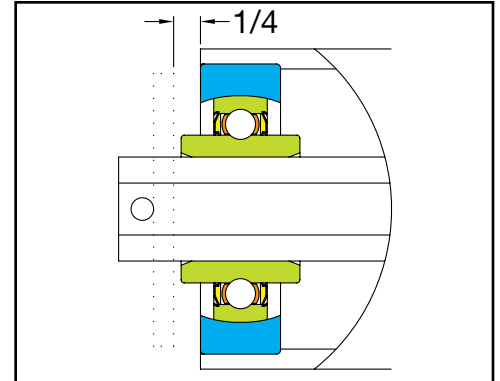
STRAIGHT ROLLERS

4 in. O.D. x 1/4 Wall Rollers

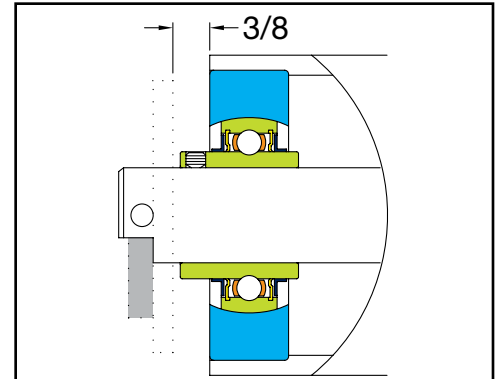
Roller Part Number		Tube Material	Axle	Drive Options	Bearing Part Number
D-End Retained	Pin Retained				
N/A	45110	Mild Steel	1-1/8 Hex	Gravity	45102-GP
45109	N/A	Mild Steel	1-3/16 Dia.	Gravity	45101-GP
28550	N/A	Mild Steel	1-3/8 Dia.	Gravity	27955
45106	N/A	Mild Steel	1-7/16 Dia.	Gravity	24864
45107	N/A	Mild Steel	1-7/16 Dia.	60A22 Sprockets	
45108	N/A	Mild Steel	1-7/16 Dia.	80A17 Sprockets	

Roller Capacity Chart (lbs.)*

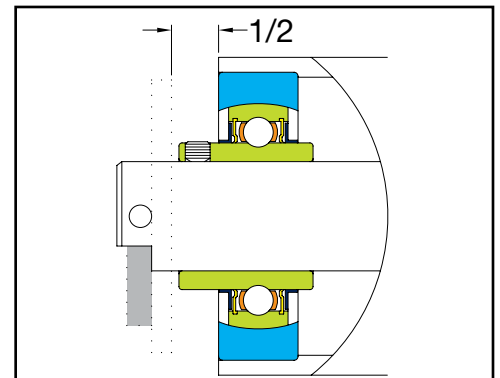
Between Frame (BF) Inches	Bearing Part Number			
	45102-GP	45101-GP	27955	24864
6	6168	4642	6168	6168
12	6163	4637	6163	6163
18	6158	4632	6158	6158
24	6153	4627	6153	6153
30	6148	4622	6148	6148
36	6143	4617	6143	6143
42	5896	4612	6138	6138
48	5081	4482	5927	5927
54	4437	3912	5244	5244
60	3910	3446	4699	4699
66	3467	3054	4255	4255
72	3086	2716	3885	3885
78	2750	2419	3572	3572
84	2448	2153	3303	3303
90	2174	1911	3070	3070
96	1921	1687	2727	2727
102	1683	1478	2396	2396
108	1459	1280	2119	2119
114	1245	1091	1884	1884
120	1039	909	1683	1683
126	838	732	1510	1510
132	643	560	1353	1360
138	450	390	1124	1228
144	260	223	900	1113
150	N/A	N/A	679	992
156	N/A	N/A	462	745
162	N/A	N/A	246	502
168	N/A	N/A	N/A	260



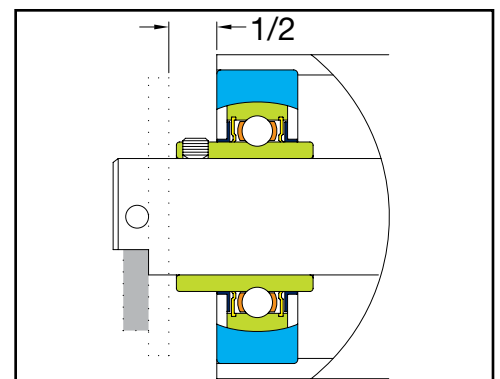
45102-GP All Metal Precision



45101-GP All Metal Precision



27955 All Metal Precision



24864 All Metal Precision

*The dimension above include 1/16" clearance between the extension on the bearing and the side frame at each end.

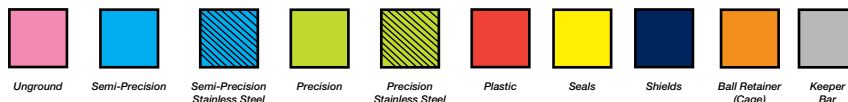
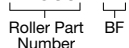
*Larger Between Frames and higher capacities may be achieved with a center support puck.

*Roller Between Frame lengths available between values shown in the table.

*Roller Between Frames can be shorter than values shown utilizing pin retention.

Standard Part Numbering System

Example: 27369 - 17

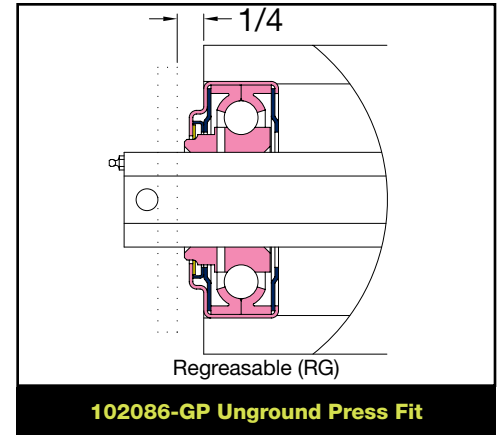


STRAIGHT ROLLERS

Heinrich Brothers, Inc.
Phone 724.969.1188

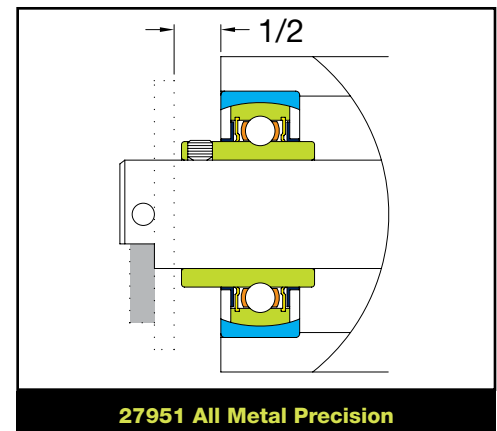
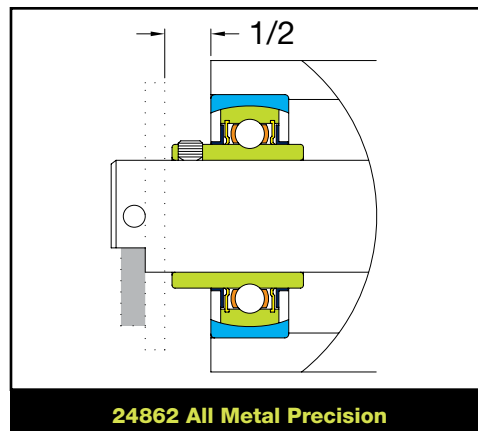
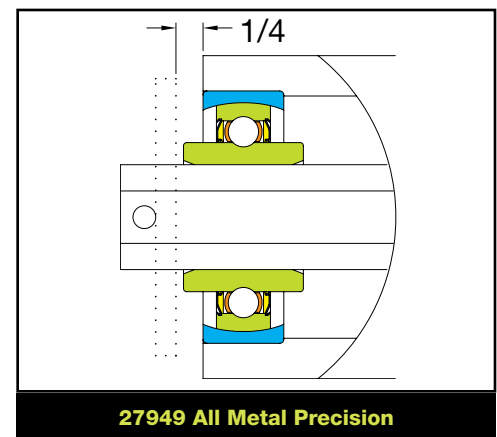
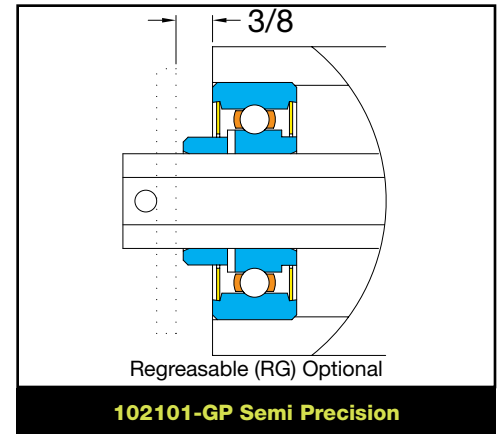
4 in. O.D. x 1/2 Wall Rollers

Roller Part Number		Tube Material	Axle	Drive Options	Bearing Part Number
D-End Retained	Pin Retained				
N/A	28551	Mild Steel	1-1/16 Hex (RG)	Gravity	102086-GP
N/A	28552	Mild Steel	1-1/16 Hex	Gravity	102101-GP
N/A	28553	Mild Steel	1-1/8 Hex	Gravity	27949
28554	N/A	Mild Steel	1-3/8 Dia.	Gravity	27951
24875	N/A	Mild Steel	1-7/16 Dia.	Gravity	24862
38781	N/A	Mild Steel	1-7/16 Dia.	60A22 Sprockets	
38782	N/A	Mild Steel	1-7/16 Dia.	80A17 Sprockets	



Roller Capacity Chart (lbs.)*

Between Frame (BF) Inches	Bearing Part Number				
	102086-GP	102101-GP	27949	27951	24862
6	1198	4122	6164	6165	6165
12	1188	4113	6154	6155	6155
18	1179	4103	6145	6146	6146
24	1170	4094	6136	6136	6136
30	1160	4085	6126	6127	6127
36	1151	3384	6117	6118	6118
42	1142	2834	5867	6108	6108
48	1132	2415	5047	6099	6099
54	1123	2079	4399	6090	6090
60	1114	1801	3868	5548	6080
66	1104	1563	3421	4940	5954
72	1095	1355	3035	4420	5341
78	1086	1168	2694	3967	4807
84	1076	997	2389	3565	4335
90	1067	839	2110	3202	3911
96	1057	690	1852	2871	3524
102	1048	548	1611	2564	3168
108	1019	411	1382	2277	2835
114	832	277	1164	2006	2522
120	650	N/A	953	1747	2225
126	473	N/A	748	1499	1940
132	299	N/A	548	1259	1666
138	N/A	N/A	351	1025	1400
144	N/A	N/A	N/A	797	1103
150	N/A	N/A	N/A	469	668
156	N/A	N/A	N/A	N/A	257

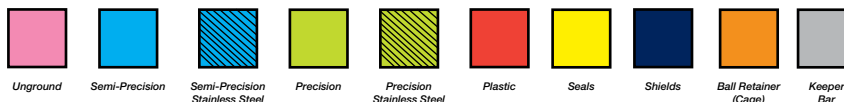


*Larger Between Frames and higher capacities may be achieved with a center support puck.

*Roller Between Frame lengths available between values shown in the table.

*Roller Between Frames can be shorter than values shown utilizing pin retention.

*The dimension above include 1/16" clearance between the extension on the bearing and the side frame at each end.



Standard Part Numbering System

Example: 27369 - 17
 Roller Part Number BF

4 1/4 in. O.D. x 1/4 Wall Rollers

Roller Part Number		Tube Material	Axle	Drive Options	Bearing Part Number
D-End Retained	Pin Retained				
28555	Upon Request	Mild Steel	1-3/16 Dia.	Gravity	27957

Roller Capacity Chart (lbs.)*

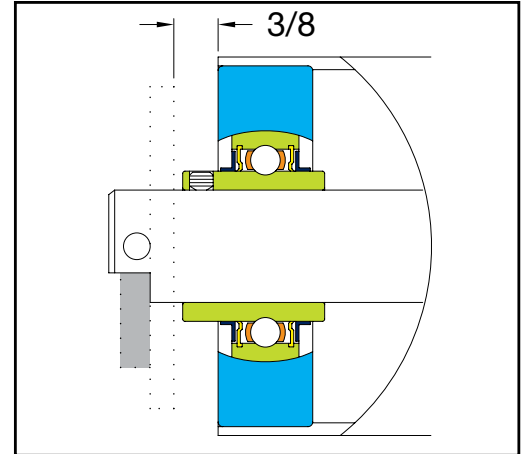
Between Frame (BF) Inches	Bearing Part Number		Between Frame (BF) Inches	Bearing Part Number	
	102205-GP	24864		102205-GP	24864
6	4493	6165	90	2619	3917
12	4484	6156	96	2334	3531
18	4475	6147	102	2070	3175
24	4466	6138	108	1822	2843
30	4457	6129	114	1587	2530
36	4448	6120	120	1363	2233
42	4439	6111	126	1146	1949
48	4430	6102	132	936	1675
54	4421	6094	138	731	1409
60	4412	6085	144	530	1149
66	4098	5958	150	N/A	895
72	3657	5345	156	N/A	645
78	3272	4812	162	N/A	397
84	2929	4341			

4 1/4 in. O.D. x 7/16 Wall Rollers

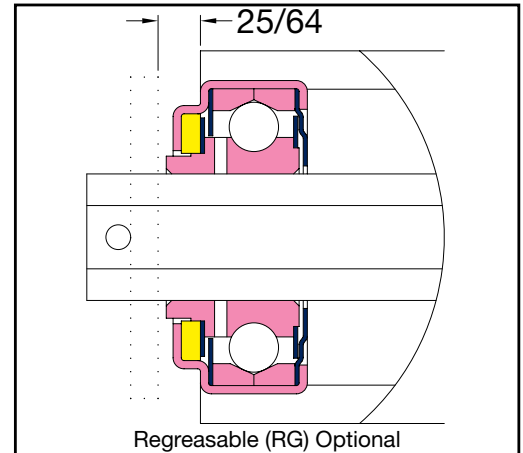
Roller Part Number		Tube Material	Axle	Drive Options	Bearing Part Number
D-End Retained	Pin Retained				
N/A	28033	Mild Steel	1-1/4 Hex	Gravity	102205-GP
N/A	28034	Mild Steel	1-1/4 Hex (RG)	Gravity	
28556	N/A	Mild Steel	1-7/16 Dia.	Gravity	24864

Roller Capacity Chart (lbs.)*

Between Frame (BF) Inches	Bearing Part Number		Between Frame (BF) Inches	Bearing Part Number	
	102205-GP	24864		102205-GP	24864
6	4493	6165	90	2619	3917
12	4484	6156	96	2334	3531
18	4475	6147	102	2070	3175
24	4466	6138	108	1822	2843
30	4457	6129	114	1587	2530
36	4448	6120	120	1363	2233
42	4439	6111	126	1146	1949
48	4430	6102	132	936	1675
54	4421	6094	138	731	1409
60	4412	6085	144	530	1149
66	4098	5958	150	N/A	895
72	3657	5345	156	N/A	645
78	3272	4812	162	N/A	397
84	2929	4341			

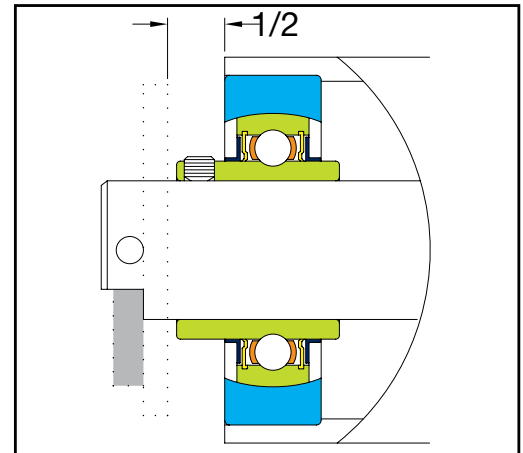


27957 All Metal Precision



Regreasable (RG) Optional

102205-GP Unground Press Fit



24864 All Metal Precision

*The dimension above include 1/16" clearance between the extension on the bearing and the side frame at each end.

*Larger Between Frames and higher capacities may be achieved with a center support puck.

*Roller Between Frame lengths available between values shown in the table.

*Roller Between Frames can be shorter than values shown utilizing pin retention.

Standard Part Numbering System

Example: 27369 - 17

