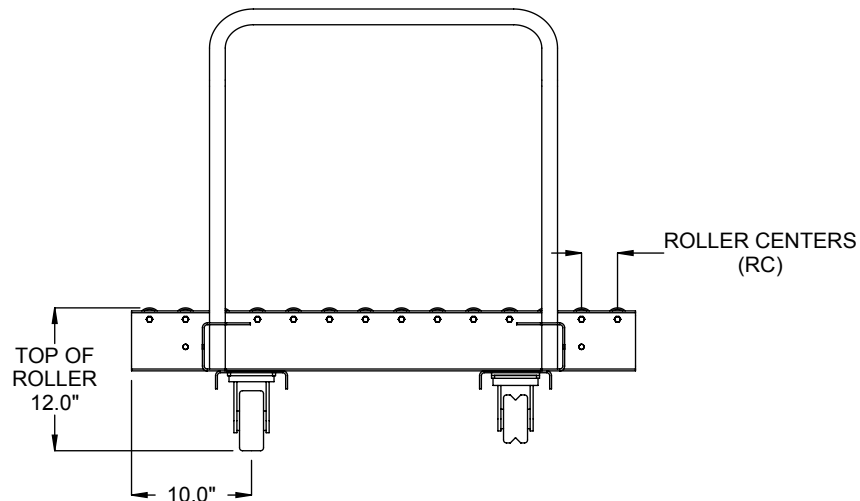
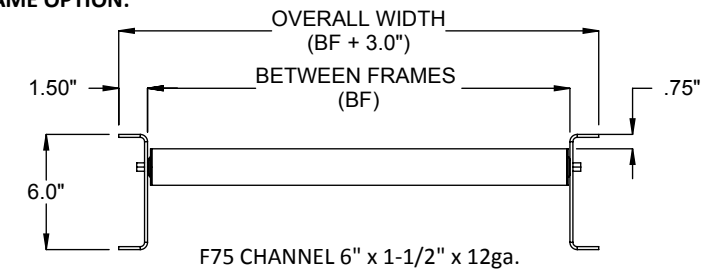


FRAME OPTION:



SPECIFICATIONS

BETWEEN FRAMES: 15" - 51"

LENGTH: 60" - 120"

ROLLER CENTERS: 3", 4", 5", 6"

ROLLERS: 1.9" dia., 16ga wall tube with 7/16" hex cold rolled steel axles, spring retained. Standard A15 bearings are light oil lubricated. Optional bearings include combination of precision, semi-precision and non precision construction with light oil or grease packed lubrication.

FRAMES: Standard F74 set high 5" x 1-1/2" x 12ga formed steel channel with bolted 1-1/8" x 1/8" angle crossties. Optional F75 set low 6" x 1-1/2" x 12ga.

ROLL COVERS: Standard carbon steel. Optional Orange Polyurethane, 1/8" wall or galvanized tube.

CASTERS: 4" cast iron V-groove and 5" phenolic.

HANDLE: 1" pipe with hand grip.

FRAME FINISH: Standard finish is OSHA safety blue powder. Optional colors include green, beige, gray, orange, black and yellow.

Model: PTTC19 - Pass Thru Transfer Car, 1.9" diameter 16 gauge roller

REV

0

