

STRAIGHT ROLLERS

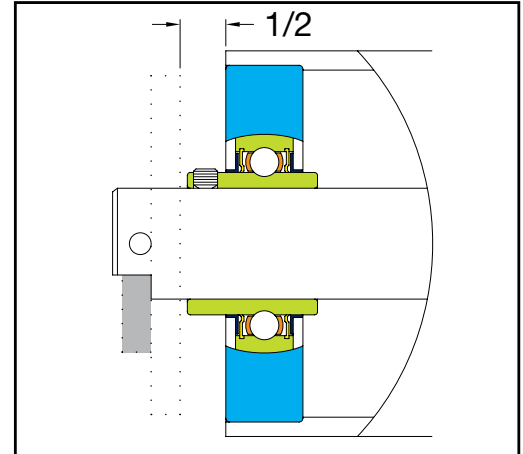
Heinrich Brothers, Inc.
Phone 724.969.1188

5 in. O.D. x 1/4 Wall Rollers

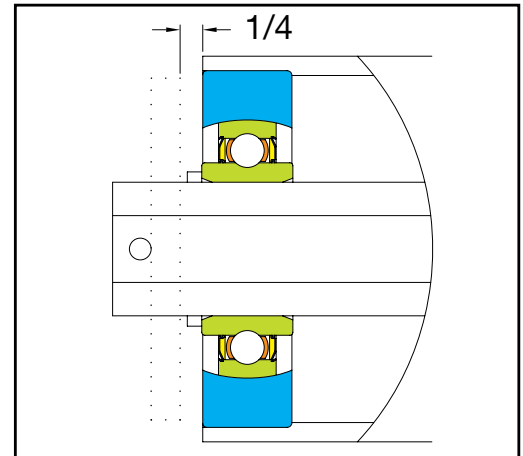
Roller Part Number		Tube Material	Axle	Drive Options	Bearing Part Number
D-End Retained	Pin Retained				
45083	N/A	Mild Steel	1-7/16 Dia.	Gravity	45082-GP
45084	N/A	Mild Steel	1-7/16 Dia.	80A20 Sprockets	
N/A	45086	Mild Steel	1-1/2 Hex	Gravity	45081-GP
45087	N/A	Mild Steel	1-11/16 Dia.	Gravity	45080-GP
45088	N/A	Mild Steel	1-11/16 Dia.	80A20 Sprockets	

Roller Capacity Chart (lbs.)*

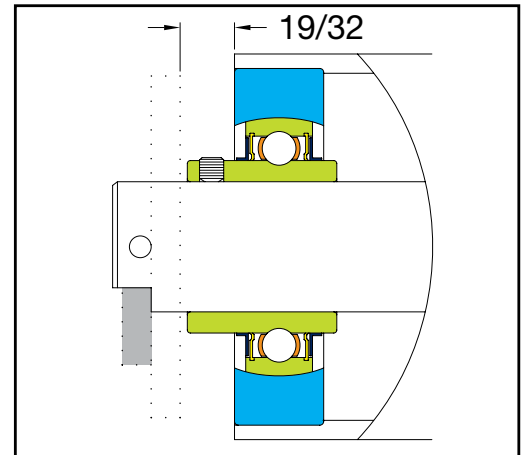
Between Frame (BF) Inches	Bearing Part Number		
	45082-GP	45081-GP	45080-GP
6	6167	7830	7831
12	6161	7824	7825
18	6154	7818	7818
24	6148	7811	7812
30	6142	7805	7806
36	6135	7799	7799
42	6129	7792	7793
48	6123	7786	7787
54	6116	7780	7780
60	6110	7580	7670
66	5981	6871	6946
72	5370	6281	6344
78	4840	5781	5835
84	4371	5353	5399
90	3950	4981	5021
96	3566	4655	4690
102	3212	4367	4398
108	2883	4111	4139
114	2573	3841	3906
120	2279	3446	3509
126	1997	3105	3159
132	1726	2808	2856
138	1462	2550	2591
144	1205	2322	2358
150	954	2120	2153
156	706	1920	1970
162	461	1534	1704
168	N/A	1154	1379
174	N/A	777	1058
180	N/A	402	741



45082-GP All Metal Precision



45081-GP All Metal Precision



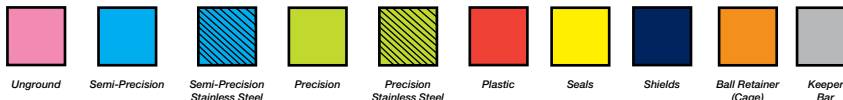
45080-GP All Metal Precision

*The dimension above include 1/16" clearance between the extension on the bearing and the side frame at each end.

*Larger Between Frames and higher capacities may be achieved with a center support puck.

*Roller Between Frame lengths available between values shown in the table.

*Roller Between Frames can be shorter than values shown utilizing pin retention.



Standard Part Numbering System

Example: 27369 - 17
 Roller Part Number BF

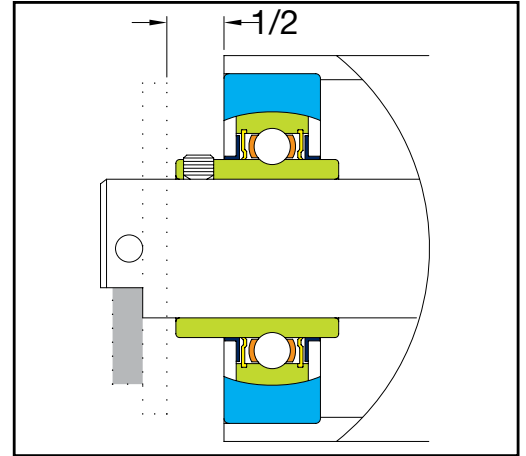
STRAIGHT ROLLERS

5 in. O.D. x 3/4 Wall Rollers

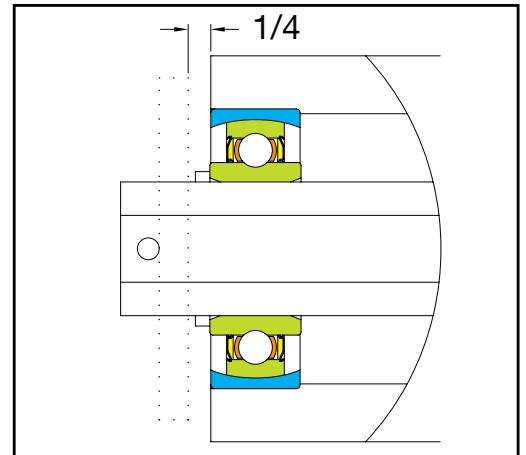
Roller Part Number		Tube Material	Axle	Drive Options	Bearing Part Number
D-End Retained	Pin Retained				
24876	N/A	Mild Steel	1-7/16 Dia.	Gravity	24864
38784	N/A	Mild Steel	1-7/16 Dia.	80A20 Sprockets	
N/A	28557	Mild Steel	1-1/2 Hex	Gravity	27953
26837	N/A	Mild Steel	1-11/16 Dia.	Gravity	26838
41889	N/A	Mild Steel	1-11/16 Dia.	80A20 Sprockets	

Roller Capacity Chart (lbs.)*

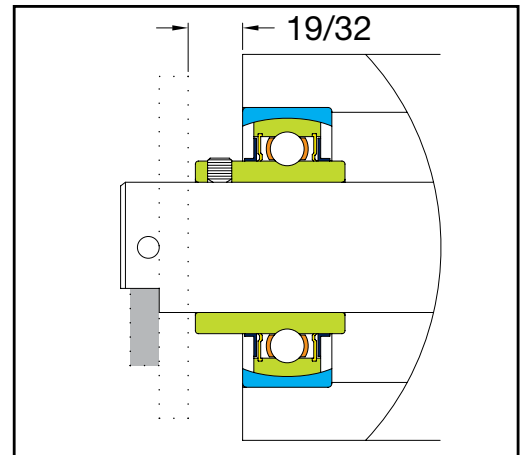
Between Frame (BF) Inches	Bearing Part Number		
	24864	27953	26838
6	6158	7821	7223
12	6141	7804	7806
18	6124	7787	7789
24	6107	7770	7772
30	6090	7753	7755
36	6073	7736	7738
42	6056	7719	7721
48	6039	7702	7704
54	6022	7685	7687
60	6005	7668	7670
66	5871	7651	7653
72	5250	7634	7636
78	4709	7617	7619
84	4229	7600	7217
90	3797	7074	6561
96	3403	6417	5969
102	3038	5815	5429
108	2698	5256	4930
114	2377	4733	4464
120	2072	4239	4027
126	1780	3769	3612
132	1498	3318	3216
138	1224	2884	2836
144	956	2462	2469
150	694	1972	2112
156	435	1260	1764
162	N/A	589	1423
168	N/A	N/A	931



24864 All Metal Precision



27953 All Metal Precision



26838 All Metal Precision

*The dimension above include 1/16" clearance between the extension on the bearing and the side frame at each end.

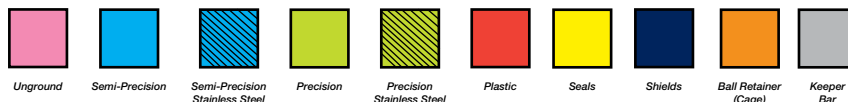
*Larger Between Frames and higher capacities may be achieved with a center support puck.

*Roller Between Frame lengths available between values shown in the table.

*Roller Between Frames can be shorter than values shown utilizing pin retention.

Standard Part Numbering System

Example: 27369 - 17
 Roller Part Number BF



STRAIGHT ROLLERS

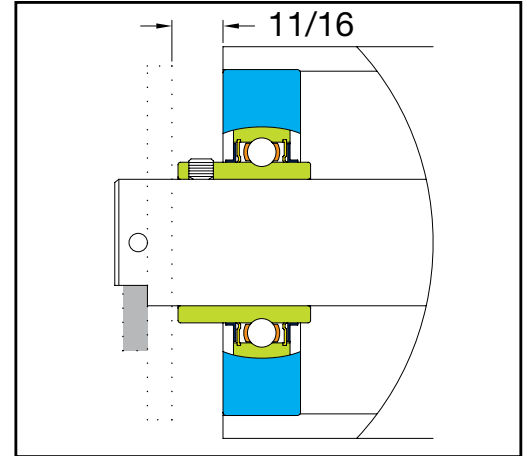
Heinrich Brothers, Inc.
Phone 724.969.1188

6 in. O.D. x 3/8 Wall Rollers

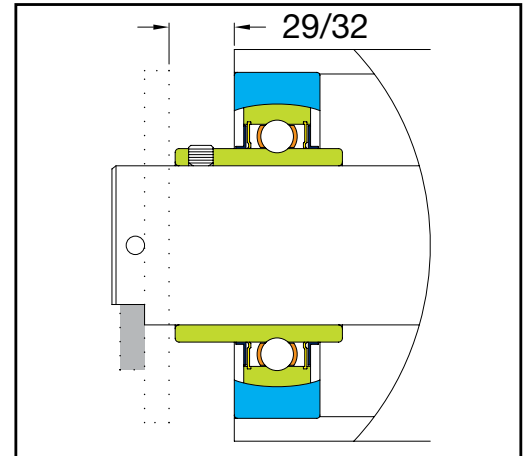
Roller Part Number		Tube Material	Axle	Drive Options	Bearing Part Number
D-End Retained	Pin Retained				
45069	N/A	Mild Steel	1-15/16 Dia.	Gravity	45067-GP
45070	N/A	Mild Steel	2-7/16 Dia.	Gravity	45068-GP

Roller Capacity Chart (lbs.)*

Between Frame (BF) Inches	Bearing Part Number	
	45067-GP	45068-GP
6	8382	12542
12	8370	12531
18	8359	12520
24	8348	12509
30	8336	12497
36	8325	12486
42	8314	12475
48	8303	12463
54	8291	12452
60	8280	12441
66	8269	12430
72	8257	12418
78	8246	12259
84	8235	11340
90	8224	10545
96	8212	9850
102	8201	9237
108	8190	8692
114	7960	8205
120	7314	7766
126	6708	7368
132	6135	7006
138	5590	6664
144	5068	6077
150	4566	5558
156	4080	5098
162	3607	4688
168	3146	4320
174	2695	3990
180	2251	3691



45067-GP All Metal Precision



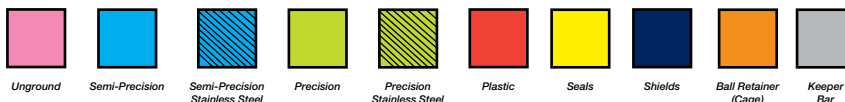
45068-GP All Metal Precision

*The dimension above include 1/16" clearance between the extension on the bearing and the side frame at each end.

*Larger Between Frames and higher capacities may be achieved with a center support puck.

*Roller Between Frame lengths available between values shown in the table.

*Roller Between Frames can be shorter than values shown utilizing pin retention.



Standard Part Numbering System

Example: 27369 - 17
 Roller Part Number BF

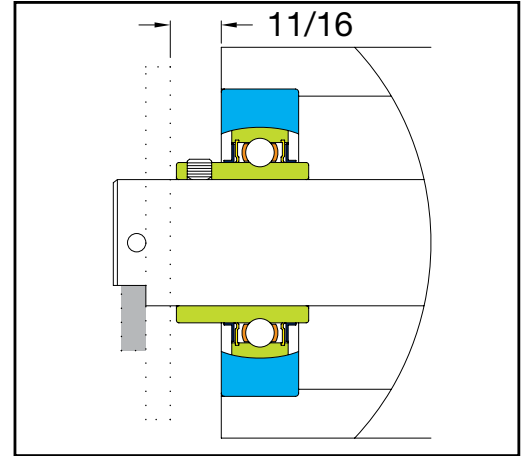
STRAIGHT ROLLERS

6 in. O.D. x 3/4 Wall Rollers

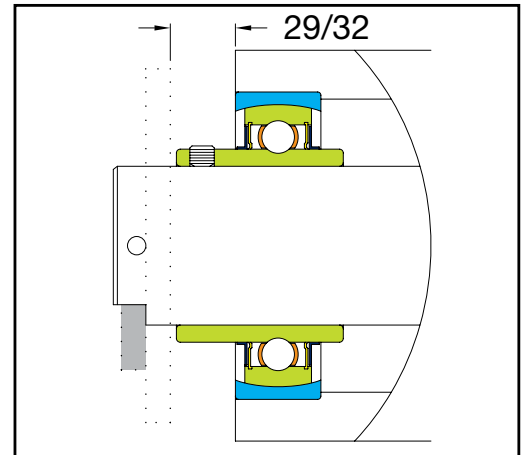
Roller Part Number		Tube Material	Axle	Drive Options	Bearing Part Number
D-End Retained	Pin Retained				
28561	N/A	Mild Steel	1-15/16 Dia.	Gravity	27960
28562	N/A	Mild Steel	2-7/16 Dia.	Gravity	27962
28563	N/A	Mild Steel	2-15/16 Dia.	Gravity	102203-GP

Roller Capacity Chart (lbs.)*

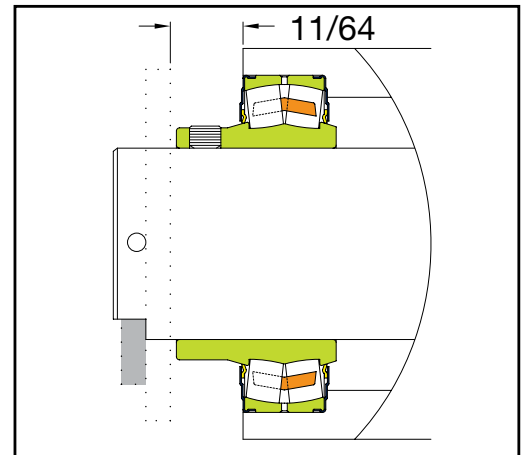
Between Frame (BF) Inches	Bearing Part Number		
	27960	27962	102203-GP
6	8374	12536	55987
12	8353	12515	55932
18	8332	12494	55856
24	8311	12473	55759
30	8290	12452	55643
36	8269	12431	45972
42	8248	12410	39000
48	8227	12389	33849
54	8206	12368	29887
60	8185	12347	26744
66	8164	12326	24188
72	8143	12305	22068
78	8122	12284	20280
84	8101	12263	18752
90	8080	12242	17430
96	8059	12221	16274
102	8038	12199	15254
108	8017	12178	14348
114	7782	12157	13537
120	7127	12136	12807
126	6511	12115	12145
132	5928	11521	11542
138	5374	10955	10991
144	4842	9982	10031
150	4330	9123	9166
156	3834	8360	8399
162	3352	7680	7715
168	2881	7071	7102
174	2420	6522	6550
180	1966	6027	6052



27960 All Metal Precision



27962 All Metal Precision



102203-GP All Metal Precision

*The dimension above include 1/16" clearance between the extension on the bearing and the side frame at each end.

*Larger Between Frames and higher capacities may be achieved with a center support puck.

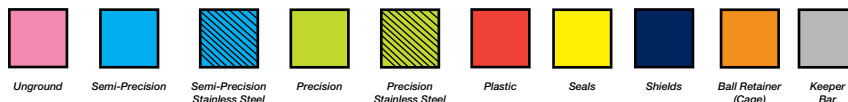
*Roller Between Frame lengths available between values shown in the table.

*Roller Between Frames can be shorter than values shown utilizing pin retention.

Standard Part Numbering System

Example: 27369 - 17

Roller Part Number BF



STRAIGHT ROLLERS

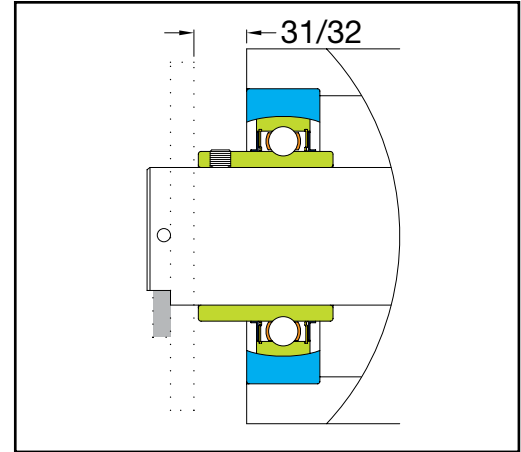
Heinrich Brothers, Inc.
Phone 724.969.1188

8 in. O.D. x 1 Wall Rollers

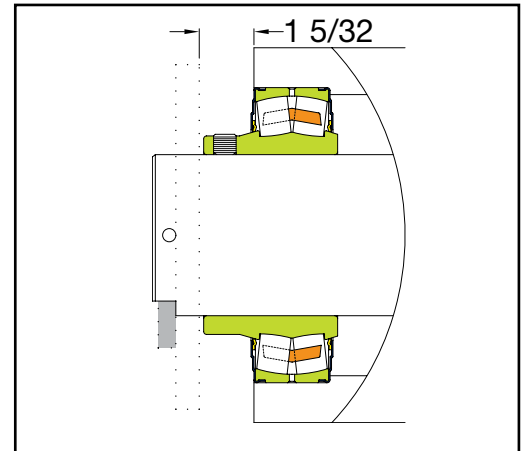
Roller Part Number		Tube Material	Axle	Drive Options	Bearing Part Number
D-End Retained	Pin Retained				
28570	N/A	Mild Steel	2-15/16 Dia.	Gravity	27965
28571	N/A	Mild Steel	3-7/16 Dia.	Gravity	102204-GP

Roller Capacity Chart (lbs.)*

Between Frame (BF) Inches	Bearing Part Number	
	27965	102204-GP
6	15852	78414
12	15814	78334
18	15777	78229
24	15740	78100
30	15702	77946
36	15665	77768
42	15628	77565
48	15590	77338
54	15553	71343
60	15515	63827
66	15478	57725
72	15441	52670
78	15403	48413
84	15366	44777
90	15328	41634
96	15291	38890
102	15254	36472
108	15216	34325
114	15179	32406
120	15142	30678
126	15104	29115
132	15067	27693
138	15029	26393
144	14992	25201
150	14955	24103
156	14917	23087
162	14880	22145
168	14842	21269
174	14805	20411
180	14768	18917



27965-GP All Metal Precision



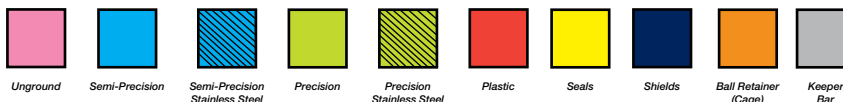
102204-GP All Metal Precision

*The dimension above include 1/16" clearance between the extension on the bearing and the side frame at each end.

*Larger Between Frames and higher capacities may be achieved with a center support puck.

*Roller Between Frame lengths available between values shown in the table.

*Roller Between Frames can be shorter than values shown utilizing pin retention.



Standard Part Numbering System

Example: 27369 - 17
 Roller Part Number BF