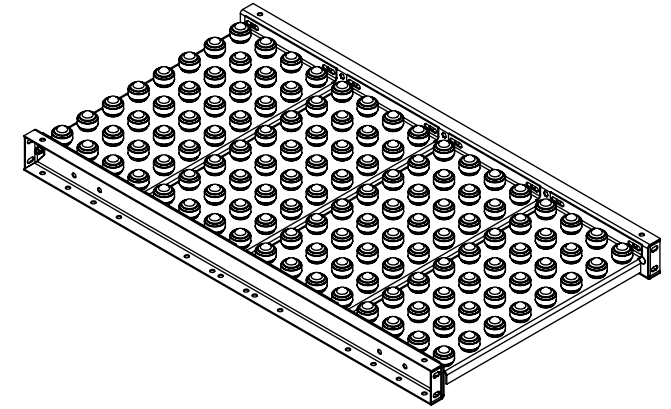
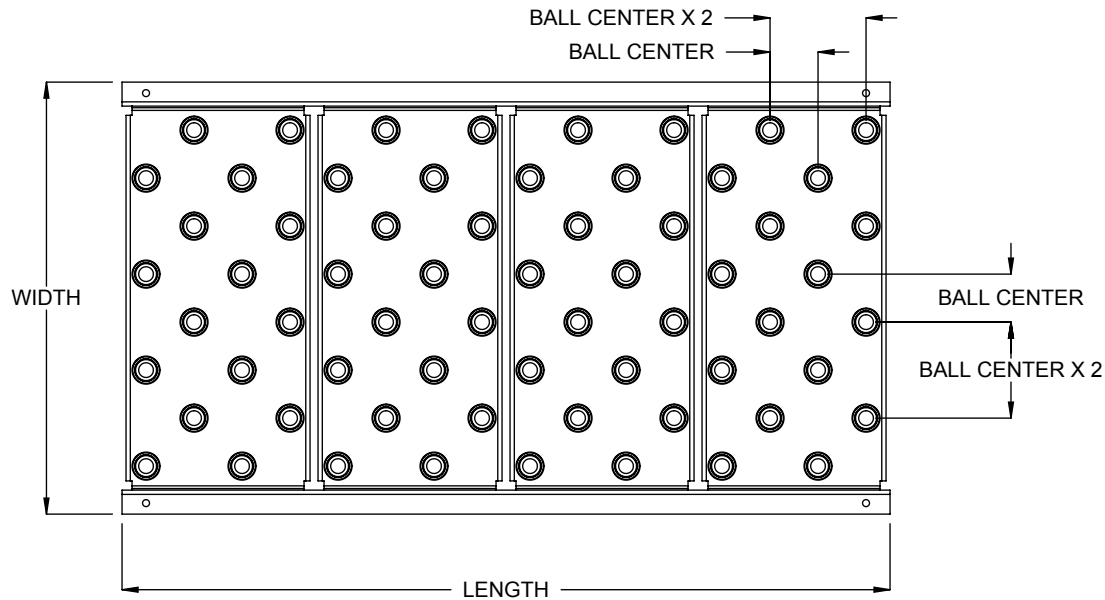


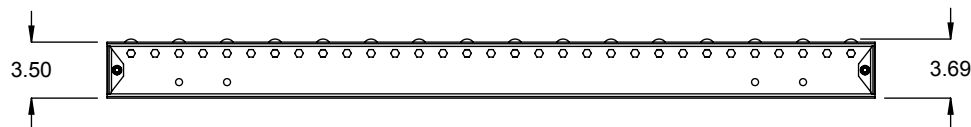
BALL TRANSFER TABLE STYLE C, STRAIGHT BALL PATTERN



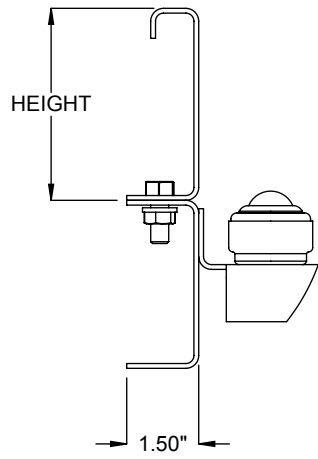
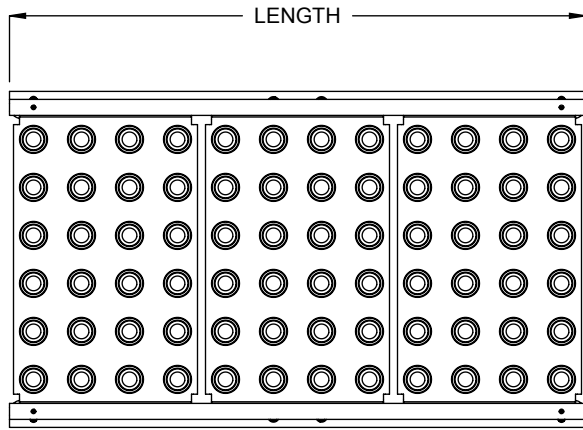
**BALL TRANSFER TABLE STYLE C
STRAIGHT BALL PATTERN**



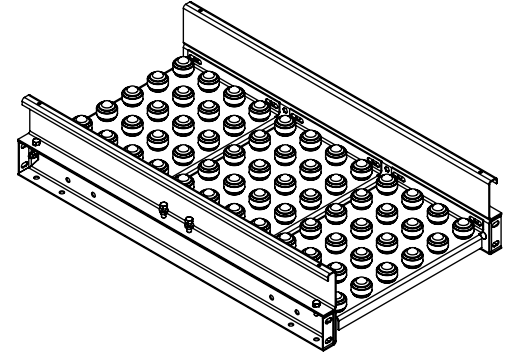
BALL TRANSFER TABLE STYLE C, STAGGERED BALL PATTERN



SPECIFICATIONS	
WIDTH: 9" - 51"	LENGTH: 18" - 120"
BALL CENTERS: 1-1/2" (staggered only), 2", 3", 4", 6"	
BALL TRANSFER: Standard 1" diameter steel ball transfer with 1/4-20 UNC stud mount. Optional ball transfers include stainless steel surface, nylon surface, and steel surface with flange.	
BALL COVER: Standard is no ball cover. Optional ball cover available.	
FRAME: Standard 12ga formed steel channel rails with 12ga formed pans.	
COUPLING: Standard bolted butt couplers on both ends of channel.	
SUPPORTS: SPM, SPH and SPS supports available.	
GUARDRAIL: Standard is no guardrail. Optional 12ga formed steel channel side guardrails. 2", 4", 6", 8", 12" height. Available one side or both sides.	
FRAME FINISH: Standard finish is OSHA safety blue powder. Optional colors include green, beige, gray, orange, black and yellow.	



GUARDRAIL



SIDE GUARDRAILS