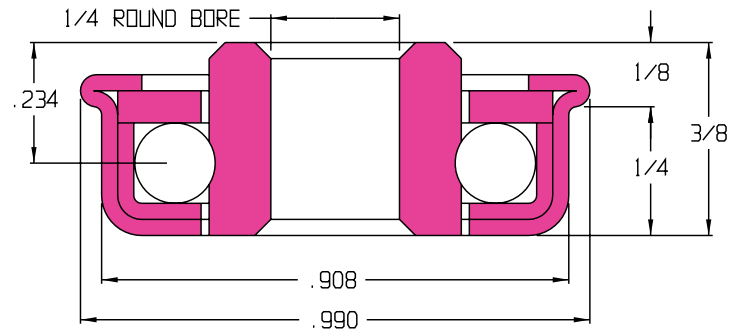


UNGROUND PRESS FIT BEARINGS

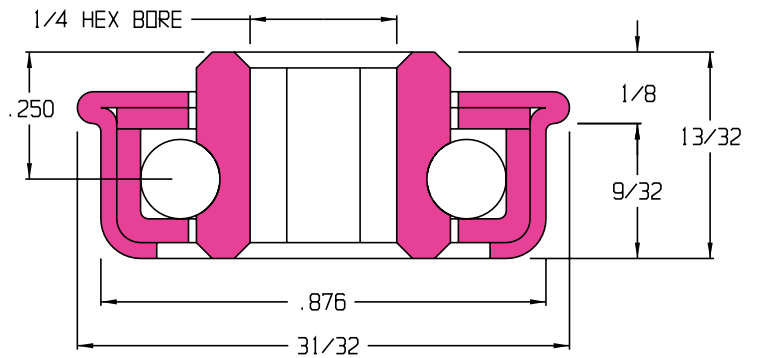
102245-O

- Non-Precision
- Stamped metal construction
- Zinc plated mild steel
- 30 lb. load rating



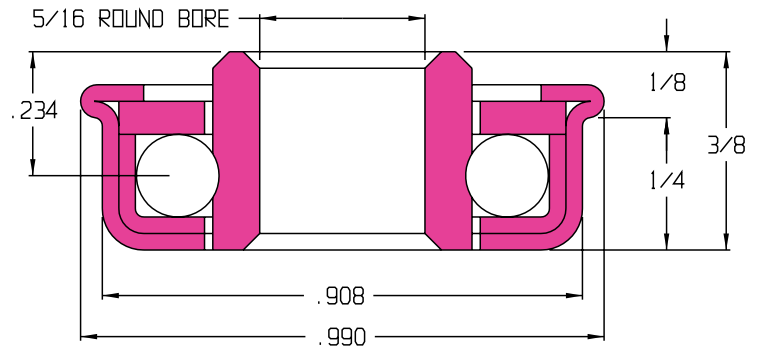
102168-GP

- Non-Precision
- Stamped metal construction
- Zinc plated mild steel
- 40 lb. load rating
- Temperature rating -40°F / 300°F



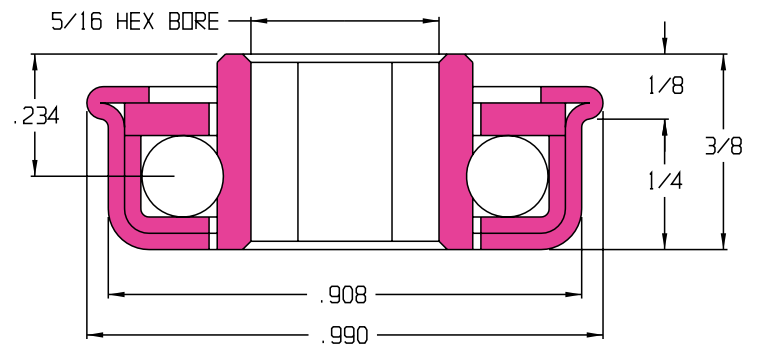
102272-O

- Non-Precision
- Stamped metal construction
- Zinc plated mild steel
- 30 lb. load rating



102152-GP & -O

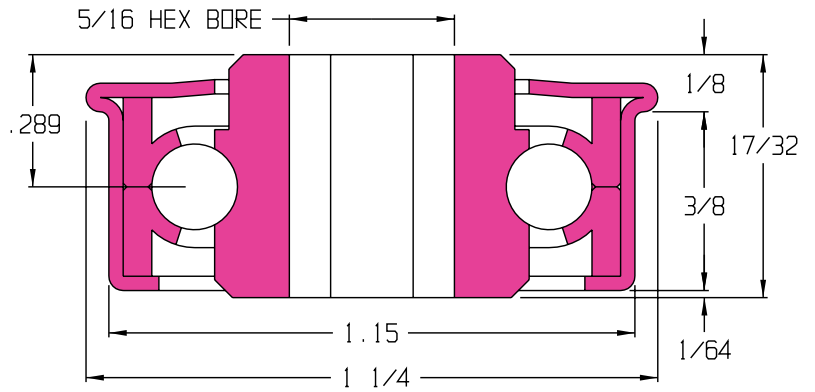
- Non-Precision
- Stamped metal construction
- Zinc plated mild steel
- 30 lb. load rating



UNGROUND PRESS FIT BEARINGS

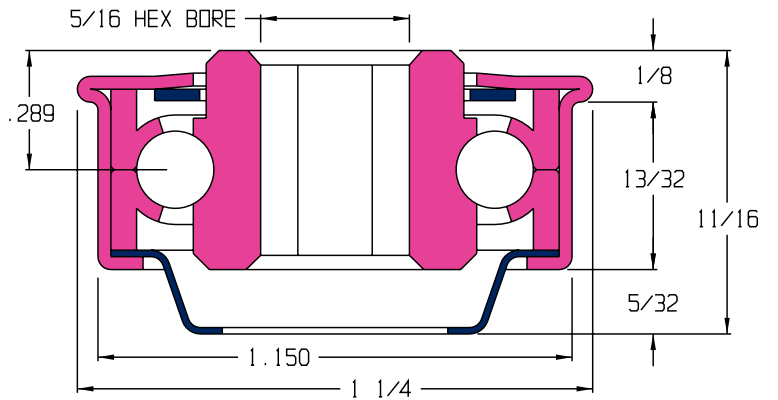
102043-O

- Non-Precision
- Stamped metal construction
- Zinc plated mild steel
- 75 lb. load rating
- Temperature rating -40°F / 140°F



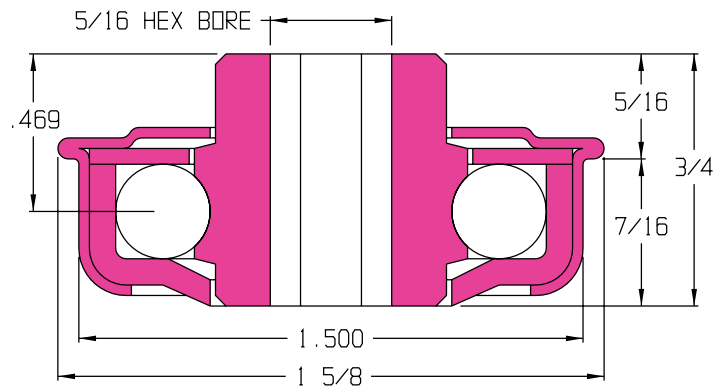
102046-GP & -O

- Non-Precision
- Stamped metal construction
- Zinc plated mild steel
- 75 lb. load rating
- Temperature rating -40°F / 250°F (140°F for oiled)
- Front & rear shield



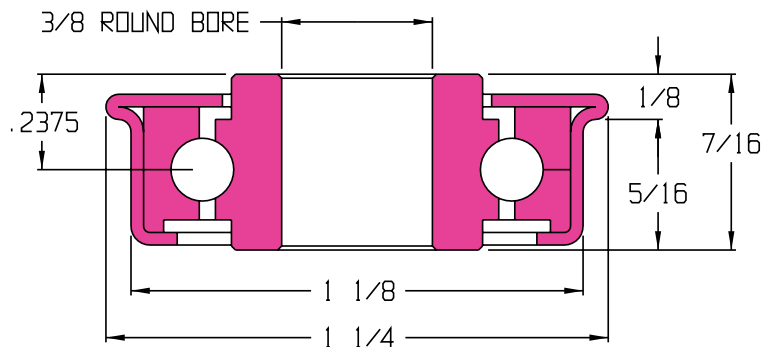
102145-O

- Non-Precision
- Stamped metal construction
- Zinc plated mild steel
- 145 lb. load rating
- Temperature rating -40°F / 140°F



102173-GP

- Non-Precision
- Stamped metal construction
- Zinc plated mild steel
- 75 lb. load rating
- Temperature rating -40°F / 250°F

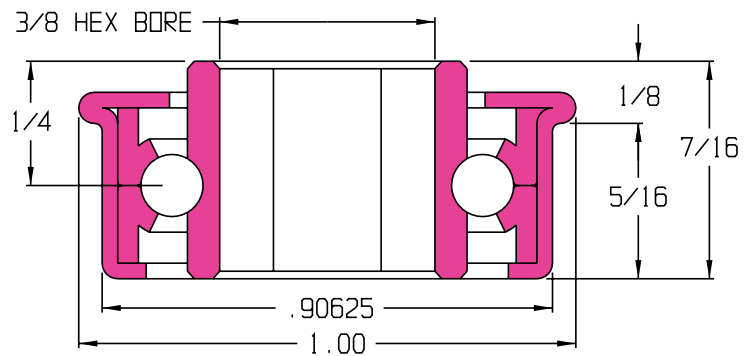


UNGROUND PRESS FIT

UNGROUND PRESS FIT BEARINGS

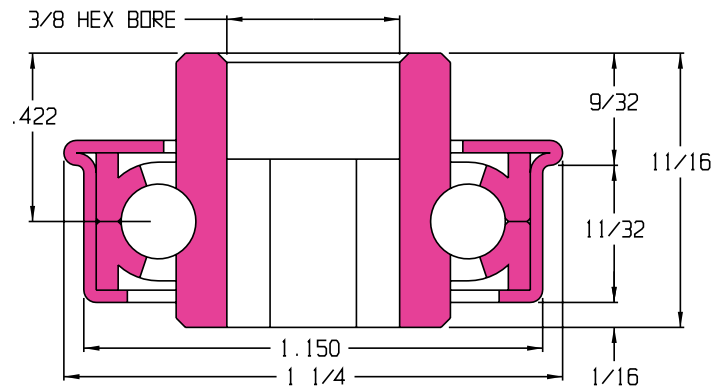
102171-O

- Non-Precision
- Stamped metal construction
- Zinc plated mild steel
- 35 lb. load rating
- Temperature rating -40°F / 140°F



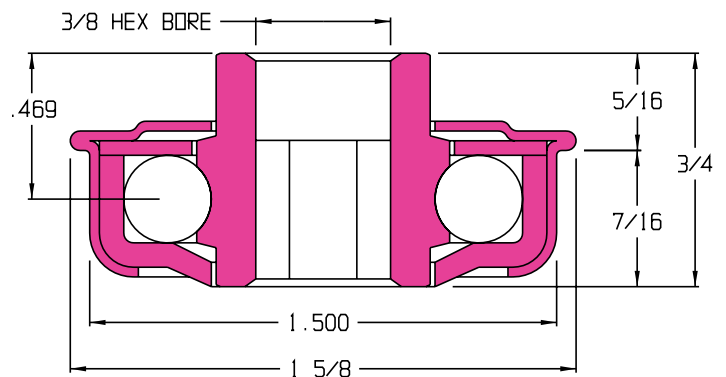
102176-O

- Non-Precision
- Stamped metal construction
- Zinc plated mild steel
- 75 lb. load rating
- Temperature rating -40°F / 140°F



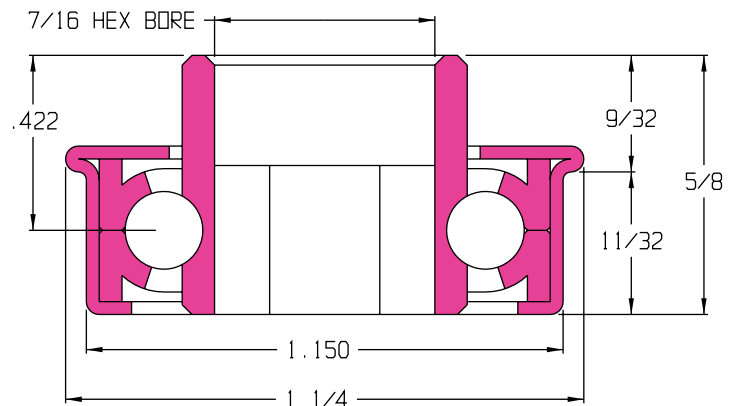
102180-GP & -O

- Non-Precision
- Stamped metal construction
- Zinc plated mild steel
- 145 lb. load rating
- Temperature rating -40°F / 300°F (140°F for oiled)



102126-O

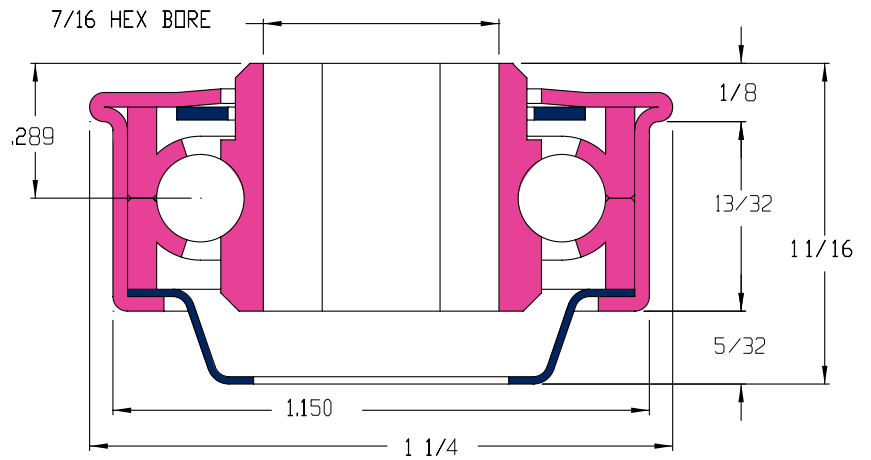
- Non-Precision
- Stamped metal construction
- Zinc plated mild steel
- 75 lb. load rating
- Temperature rating -40°F / 140°F



UNGROUND PRESS FIT BEARINGS

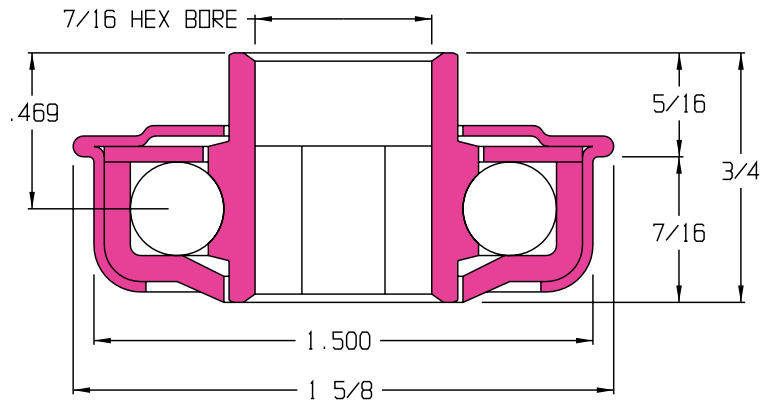
102177-O

- Non-Precision
- Stamped metal construction
- Zinc plated mild steel
- 75 lb. load rating
- Temperature rating -40°F/145°F
- Front & rear shields
- Replaceable



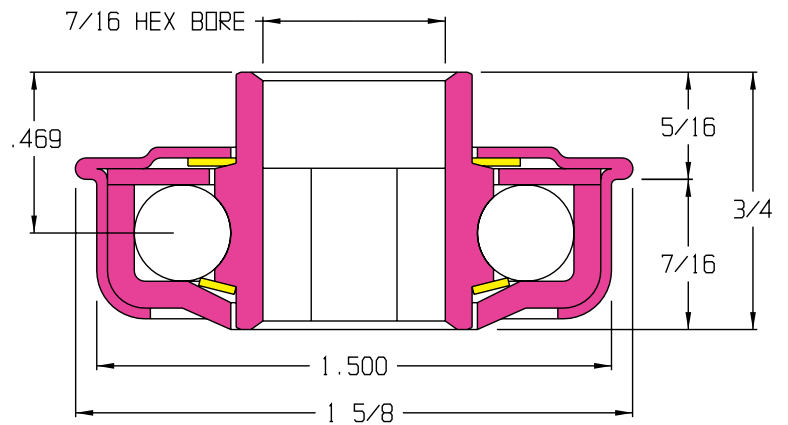
102052-O

- Non-Precision
- Stamped metal construction
- Zinc plated mild steel
- 145 lb. load rating
- Temperature rating -40°F / 140°F



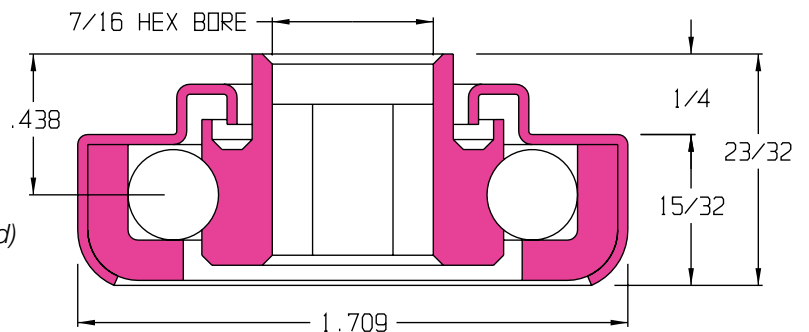
102053-GP

- Non-Precision
- Stamped metal construction
- Zinc plated mild steel
- 145 lb. load rating
- Temperature rating -40°F / 250°F
- Front & rear polymer seal



102051-GP & -O

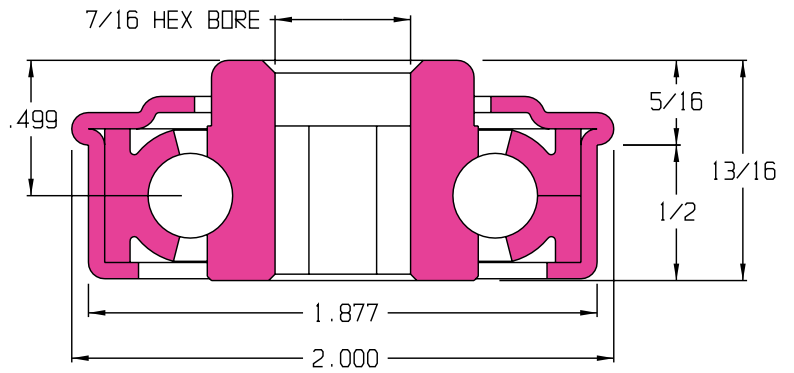
- Non-precision
- Stamped metal construction
- Zinc plated mild steel
- 150 lb. load rating
- Temperature rating -40°F / 300°F (140°F for oiled)
- Labyrinth shield



UNGROUND PRESS FIT BEARINGS

102040-GP & -O

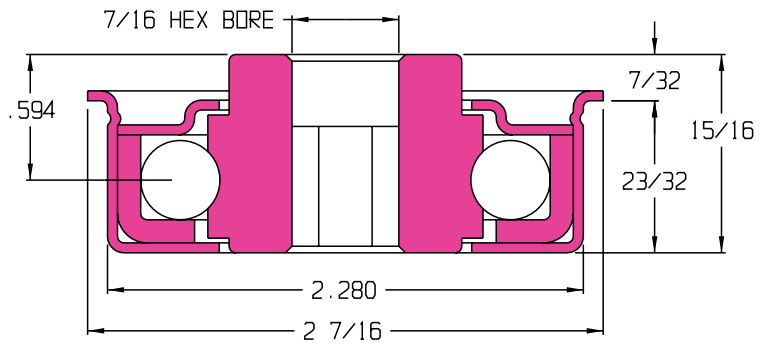
- Non-Precision
- Stamped metal construction
- Zinc plated mild steel
- 190 lb. load rating
- Temperature rating -40°F / 300°F (140°F for oiled)



UNGROUND PRESS FIT

102249-GP & -O

- Non-Precision
- Stamped metal construction
- Zinc plated mild steel
- 425 lb. load rating
- Temperature rating -20°F / 220°F (140°F for oiled)

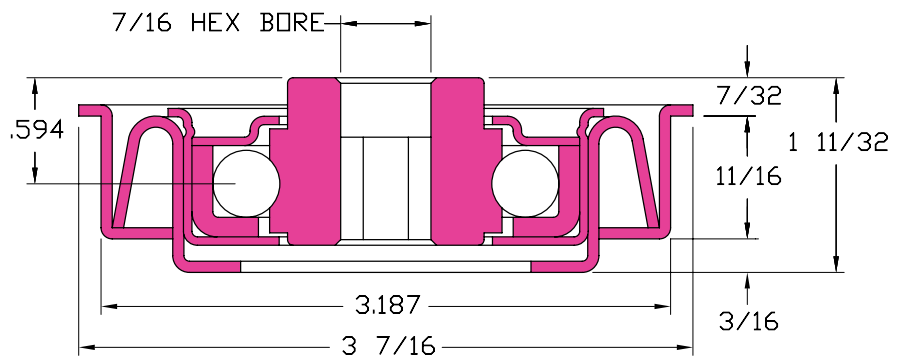


45173-GP

Bearing Part No.: 102249

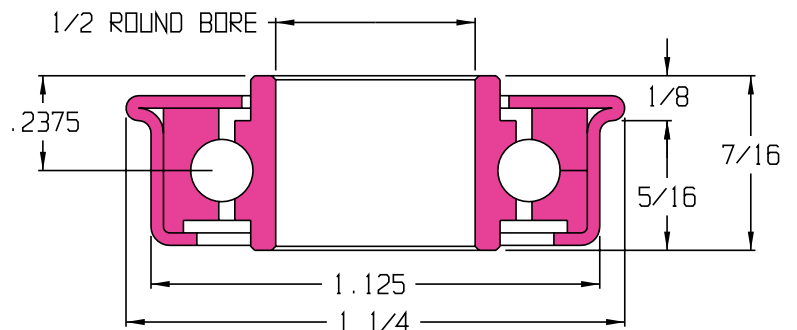
Adaptor No.: 102080

- Non-precision
- Stamped metal construction
- Zinc plated mild steel
- Stamped metal adaptor
- 425 lb. load rating
- Temperature rating -20°F / 350°F
- Replaceable



102172-GP

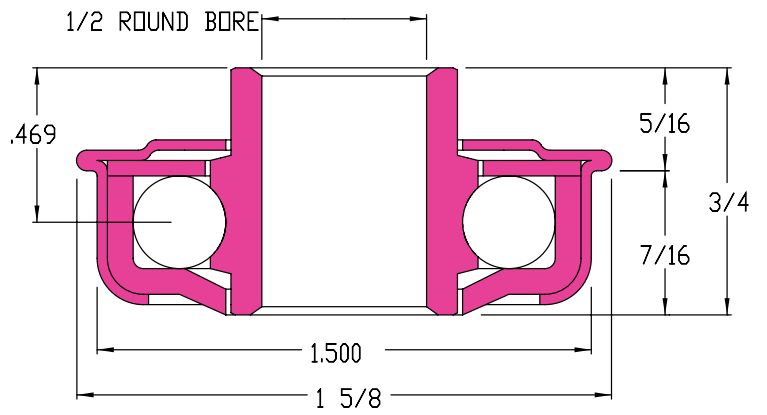
- Non-Precision
- Stamped metal construction
- Zinc plated mild steel
- 75 lb. load rating
- Temperature rating -40°F / 250°F



UNGROUND PRESS FIT BEARINGS

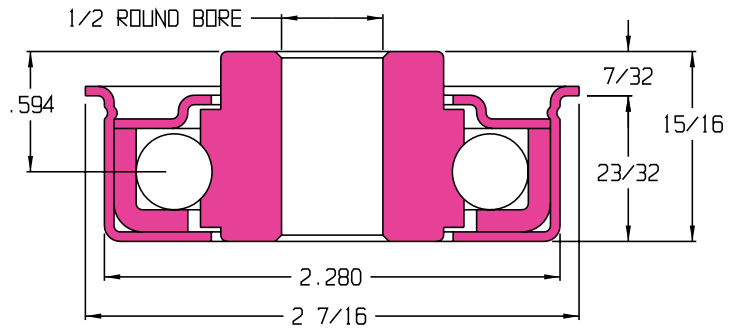
102181-GP & -O

- Non-Precision
- Stamped metal construction
- Zinc plated mild steel
- 145 lb. load rating
- Temperature rating -40°F / 300°F (140°F for oiled)



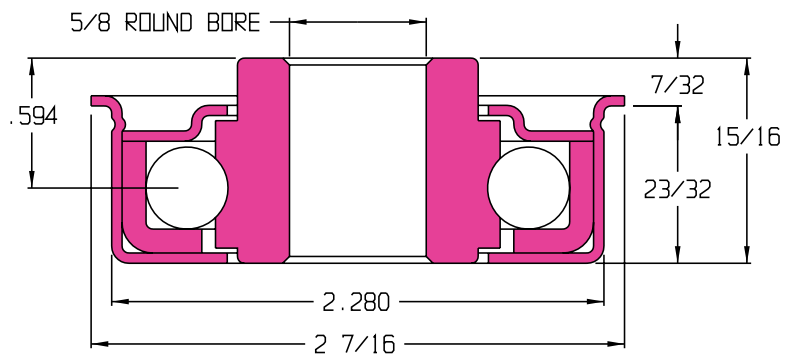
102195-GP & -O

- Non-Precision
- Stamped metal construction
- Zinc plated mild steel
- 425 lb. load rating
- Temperature rating -20°F / 220°F (140°F for oiled)



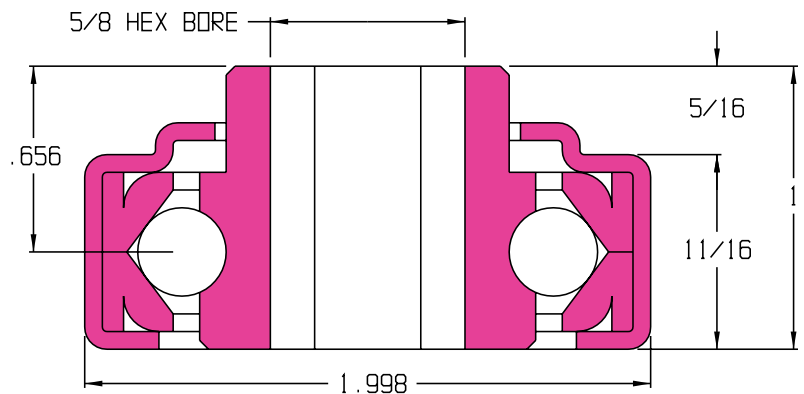
110658-GP

- Non-Precision
- Stamped metal construction
- Zinc plated mild steel
- 425 lb. load rating
- Temperature rating -20°F / 220°F



102047-GP & -O

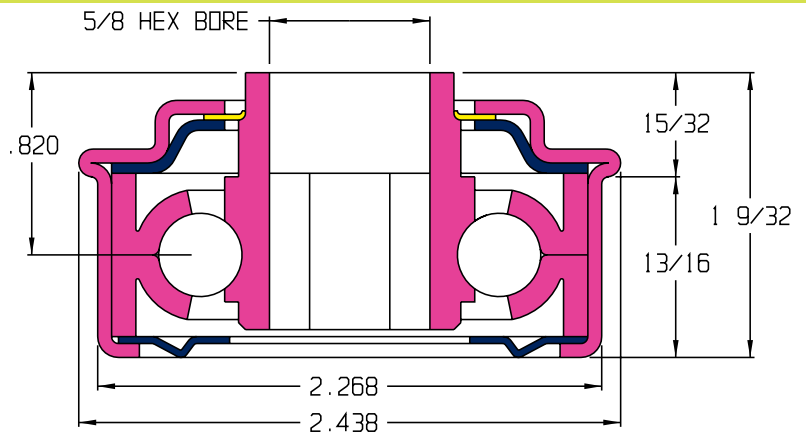
- Non-precision
- Stamped metal construction
- Zinc plated mild steel
- 225 lb. load rating
- Temperature rating -40°F / 300°F (140°F for oiled)



UNGROUND PRESS FIT BEARINGS

102130-GP

- Non-Precision
- Stamped metal construction
- Zinc plated mild steel
- 425 lb. load rating
- Temperature rating -40°F / 250°F
- Front & rear shields
- Front polymer seal

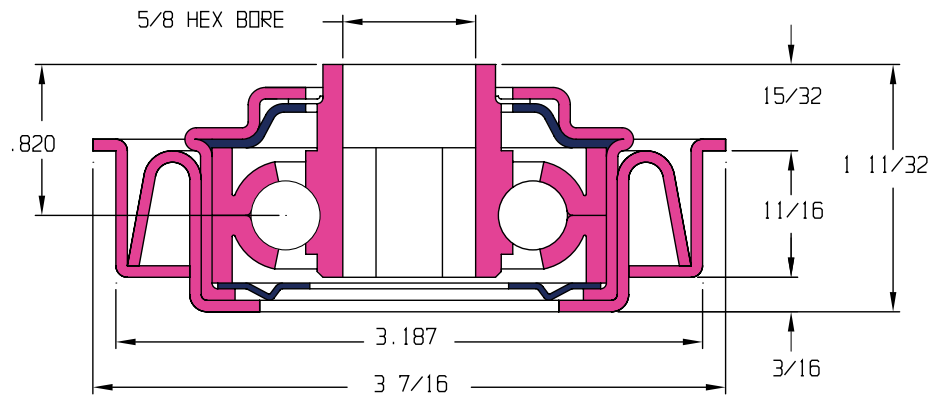


45207-GP

Bearing Part No.: 102130-GP

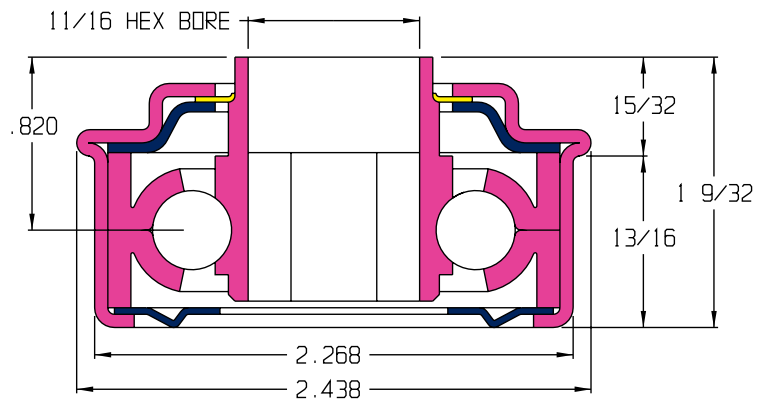
Adapter No.: 102080

- Non-Precision
- Stamped metal construction
- Zinc plated mild steel
- Stamped metal adapter
- 425 lb. load rating
- Temperature rating -40°F / 250°F
- Front & rear shields
- Front polymer seal
- Replaceable



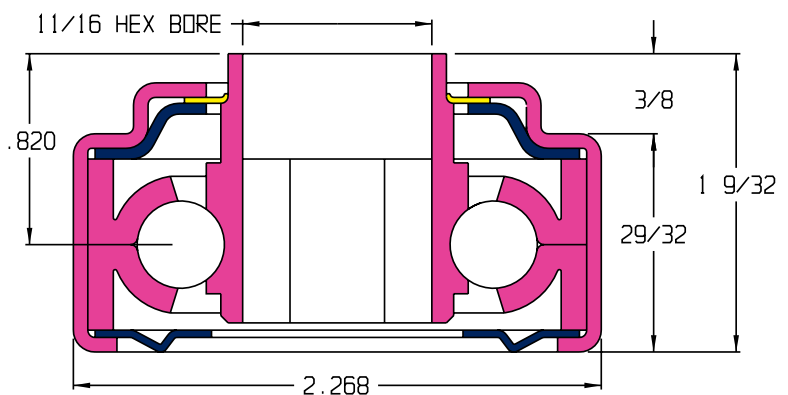
102041-GP

- Non-Precision
- Stamped metal construction
- Zinc plated mild steel
- 425 lb. load rating
- Temperature rating -40°F / 250°F
- Front & rear shields
- Front polymer seal



102084-GP

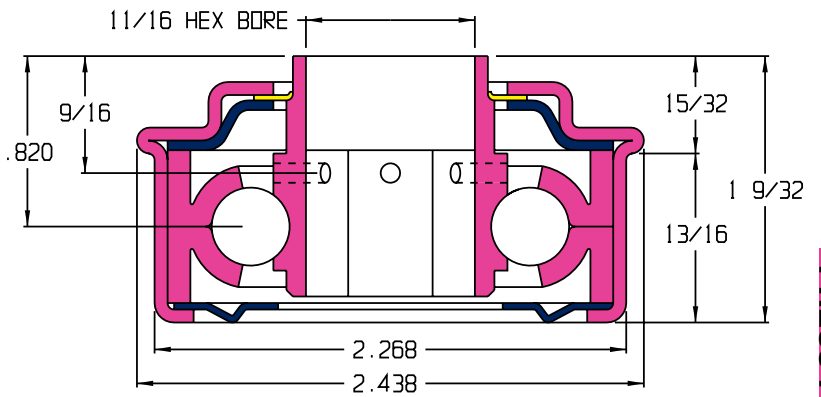
- Non-Precision
- Stamped metal construction
- Zinc plated mild steel
- 425 lb. load rating
- Temperature rating -40°F / 250°F
- Front & rear shields
- Front polymer seal



UNGROUND PRESS FIT BEARINGS

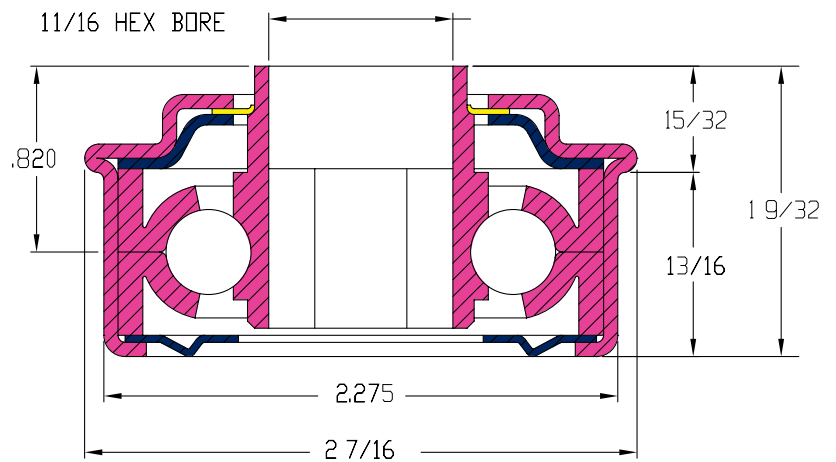
102229-GP

- Non-Precision
- Stamped metal construction
- Zinc plated mild steel
- 425 lb. load rating
- Temperature rating -40°F / 250°F
- Front & rear shields
- Front polymer seal
- Regreaseable



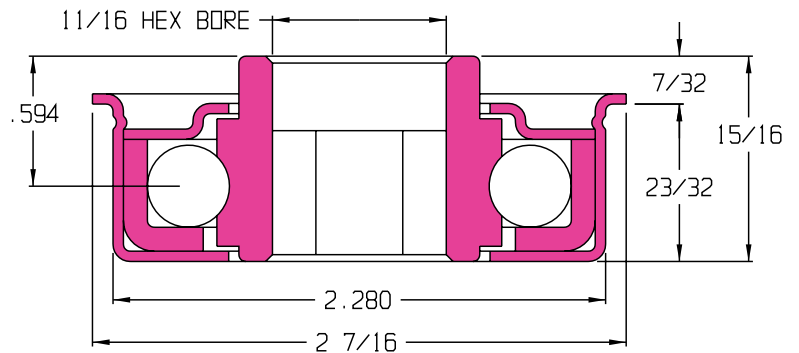
115970-GP

- Non-Precision
- Stamped metal construction
- 300 series stainless steel
- 425 lb. load rating
- Temperature rating -40°F/250°F
- Front polymer seal
- Front & rear shields
- Replaceable



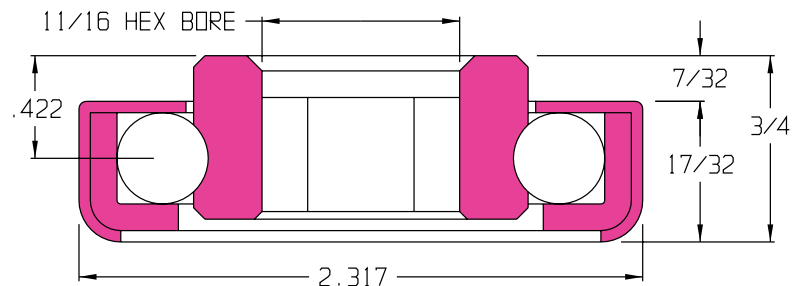
102164-GP

- Non-Precision
- Stamped metal construction
- Zinc plated mild steel
- 425 lb. load rating
- Temperature rating -20°F / 220°F



102054-GP & -O

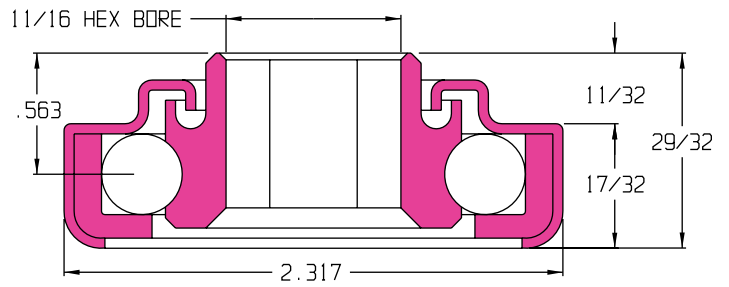
- Non-precision
- Stamped metal construction
- Zinc plated mild steel
- 325 lb. load rating
- Temperature rating -40°F / 300°F (140°F for oiled)



UNGROUND PRESS FIT BEARINGS

102055-GP & -O

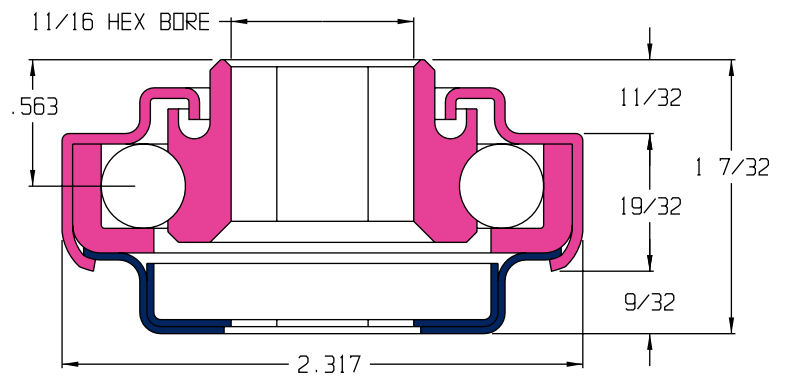
- Non-precision
- Stamped metal construction
- Zinc plated mild steel
- 325 lb. load rating
- Temperature rating -40°F / 300°F (140°F for oiled)
- Labyrinth shield



UNGROUND PRESS FIT

102056-GP

- Non-precision
- Stamped metal construction
- Zinc plated mild steel
- 325 lb. load rating
- Temperature rating -40°F / 300°F
- Front Labyrinth shield
- Rear shield

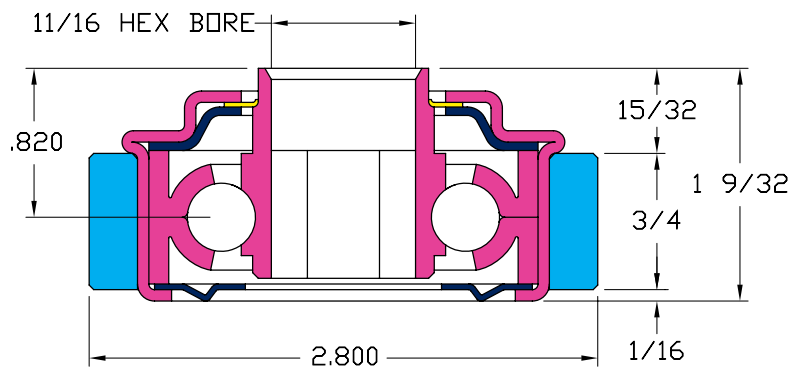


45150-GP

Bearing Part No.: 102041

Sleeve Part No.: 45133

- Non-precision
- Stamped metal construction
- Zinc plated mild steel
- 425 lb. load rating
- Temperature rating -40°F / 250°F
- Metal adapter sleeve
- Front & rear shields
- Front polymer seal
- Replaceable



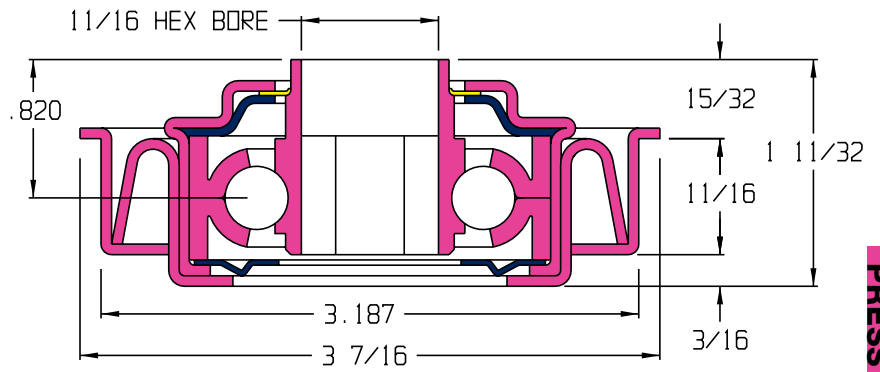
UNGROUND PRESS FIT BEARINGS

31439

Bearing Part No.: 102041

Adapter No.: 102080

- Non-Precision
- Stamped metal construction
- Zinc plated mild steel
- Stamped metal adapter
- 425 lb. load rating
- Temperature rating -40°F / 250°F
- Front & rear shields
- Front polymer seal

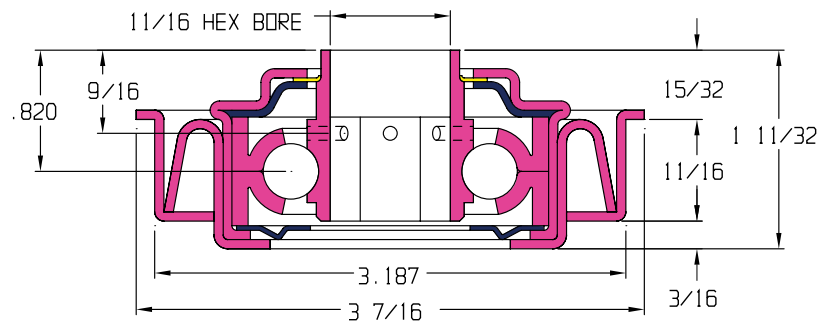


45208-GP

Bearing Part No.: 102229-GP

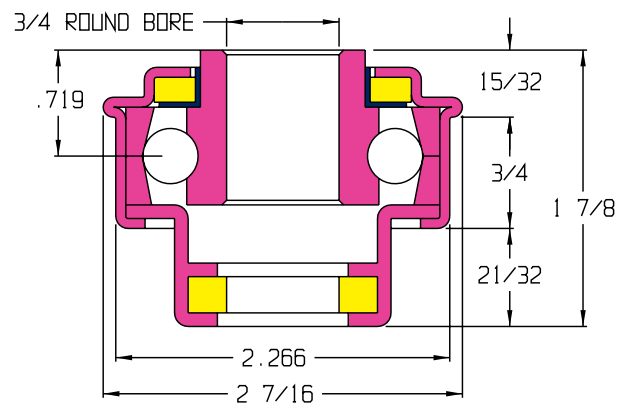
Adapter No.: 102080

- Non-Precision
- Stamped metal construction
- Zinc plated mild steel
- Stamped metal adapter
- 425 lb. load rating
- Temperature rating -40°F / 250°F
- Front & rear shields
- Front polymer seal
- Replaceable
- Regreasable



102194-GP

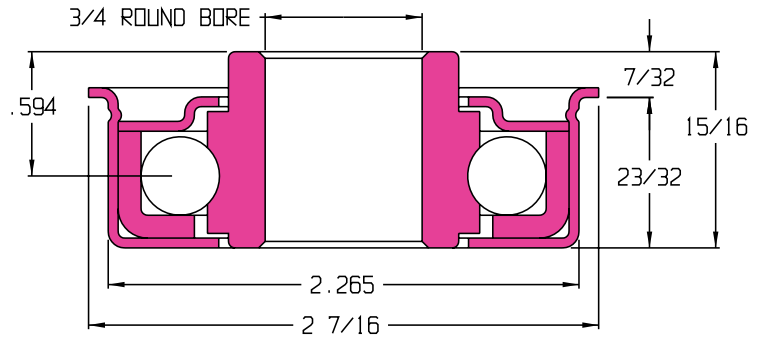
- Non-Precision
- Stamped metal construction
- Zinc plated mild steel
- 305 lb. load rating
- Temperature rating -10°F / 180°F
- Front & rear felt seal
- Front & rear shield
- Regreasable



UNGROUND PRESS FIT BEARINGS

102273-GP

- Non-Precision
- Stamped metal construction
- Zinc plated mild steel
- 425 lb. load rating
- Temperature rating -20°F / 220°F

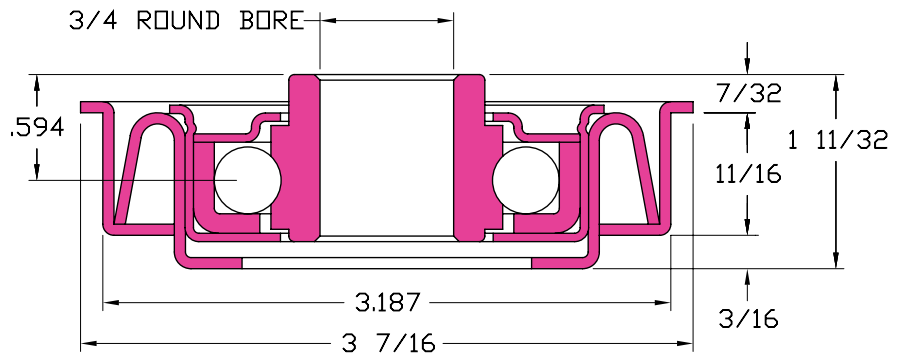


45171-GP

Bearing Part No.: 102273

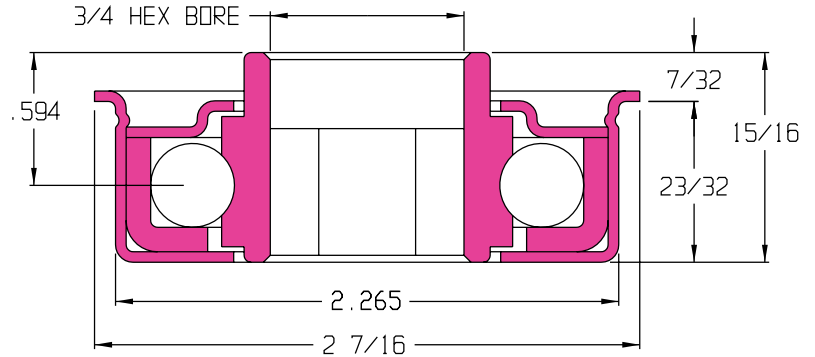
Adaptor No.: 102080

- Non-precision
- Stamped metal construction
- Zinc plated mild steel
- Stamped metal adaptor
- 425 lb. load rating
- Temperature rating -20°F / 350°F
- Replaceable



102268-GP

- Non-Precision
- Stamped metal construction
- Zinc plated mild steel
- 425 lb. load rating
- Temperature rating -20°F / 220°F

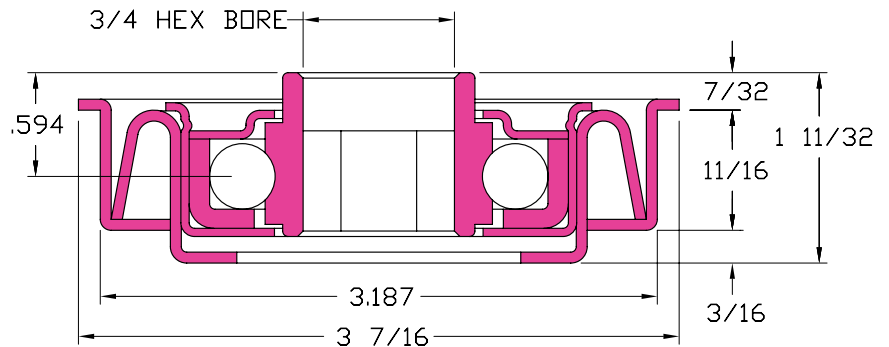


45172-GP

Bearing Part No.: 102268

Adaptor No.: 102080

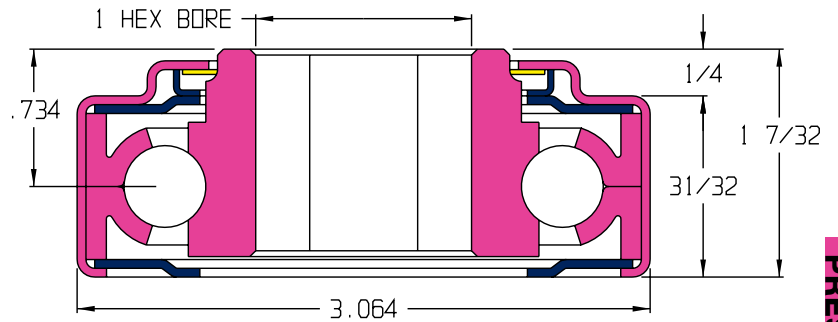
- Non-precision
- Stamped metal construction
- Zinc plated mild steel
- Stamped metal adaptor
- 425 lb. load rating
- Temperature rating -20°F / 350°F
- Replaceable



UNGROUND PRESS FIT BEARINGS

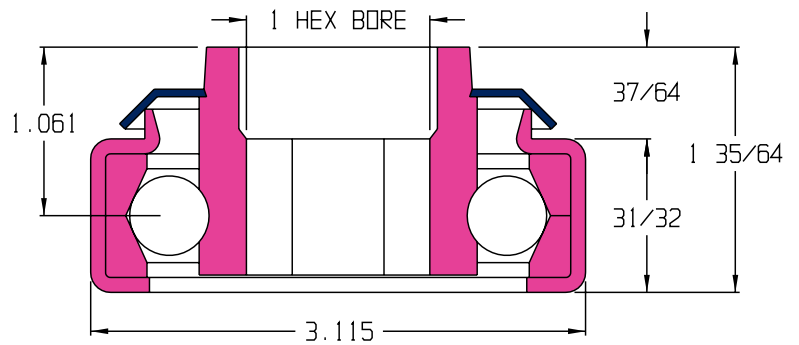
102314-GP

- Non-precision
- Stamped metal construction
- Zinc plated mild steel
- 603 lb. load rating
- Temperature rating -40°F / 250°F
- Front & rear shield
- Front polymer seal



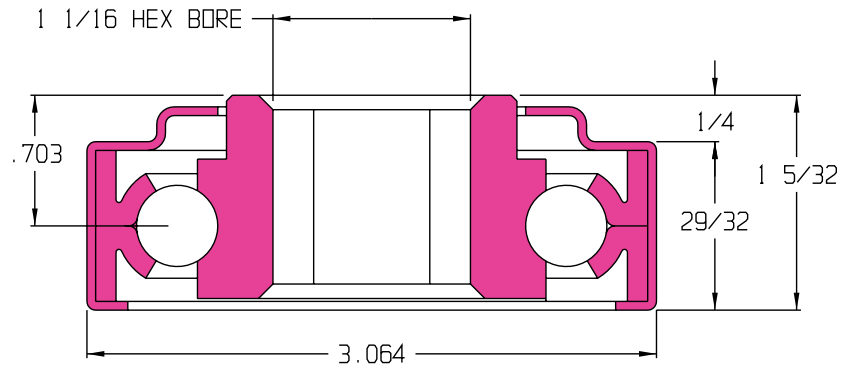
102162-GP

- Non-precision
- Stamped metal construction
- Zinc plated mild steel
- 1000 lb. load rating
- Front shield



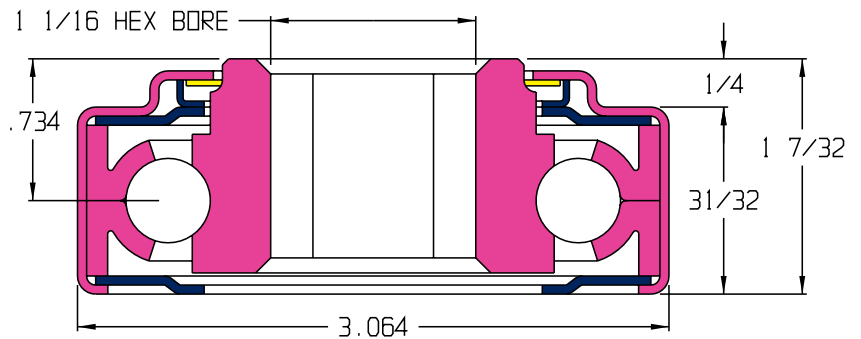
102060-GP

- Non-precision
- Stamped metal construction
- Zinc plated mild steel
- 603 lb. load rating
- Temperature rating -40°F / 300°F



102061-GP

- Non-precision
- Stamped metal construction
- Zinc plated mild steel
- 603 lb. load rating
- Temperature rating -40°F / 250°F
- Front & rear shields
- Front polymer seal

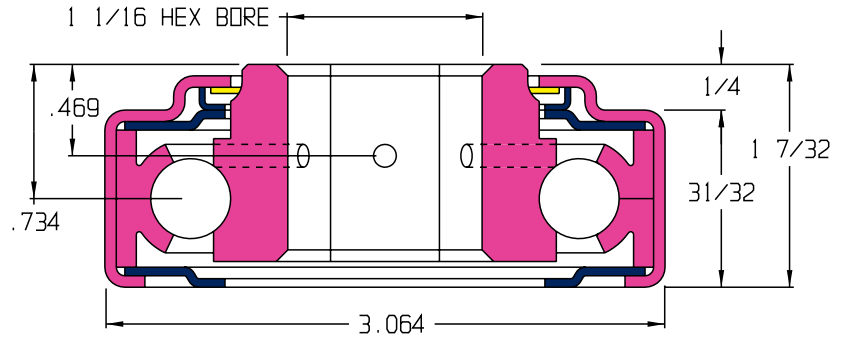


UNGROUND PRESS FIT

UNGROUND PRESS FIT BEARINGS

102086-GP

- Non-precision
- Stamped metal construction
- Zinc plated mild steel
- 603 lb. load rating
- Temperature rating -40°F / 250°F
- Front & rear shields
- Front polymer seal
- Regreasable

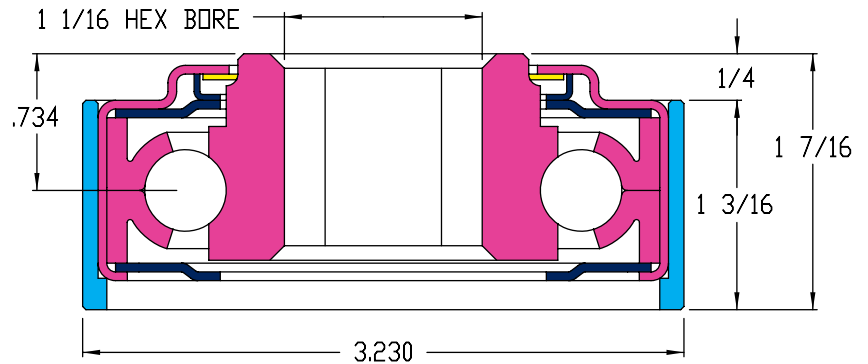


45053-GP

Bearing Part No.: 102061-GP

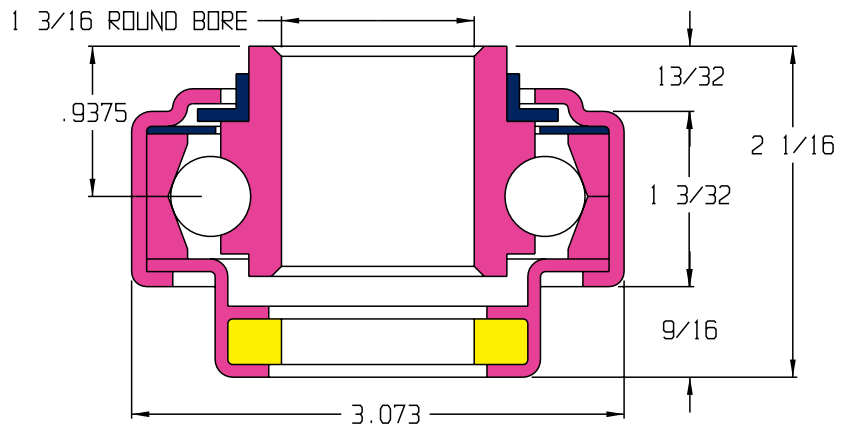
Sleeve Part No.: 45051

- Non-precision
- Stamped metal construction
- Zinc plated mild steel
- Metal adapter sleeve
- 603 lb. load rating
- Temperature rating -40°F / 250°F
- Front & rear shields
- Front polymer seal
- Replaceable



102197-GP

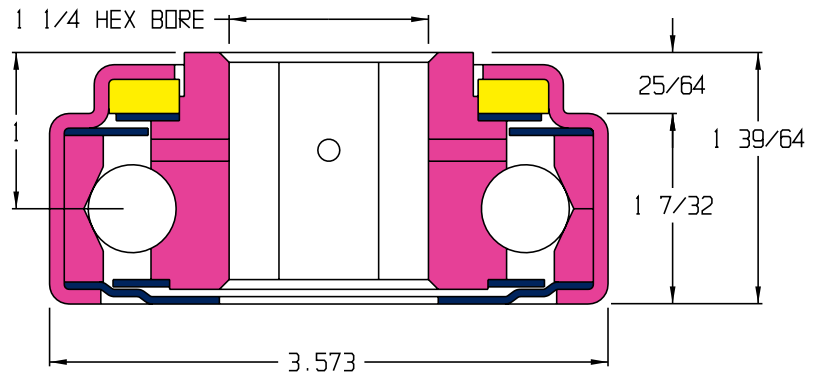
- Non-precision
- Stamped metal construction
- Zinc plated mild steel
- 1250 lb. load rating
- Temperature rating -10°F / 225°F
- Front labyrinth shield
- Rear felt seal
- Regreasable



UNGROUND PRESS FIT BEARINGS

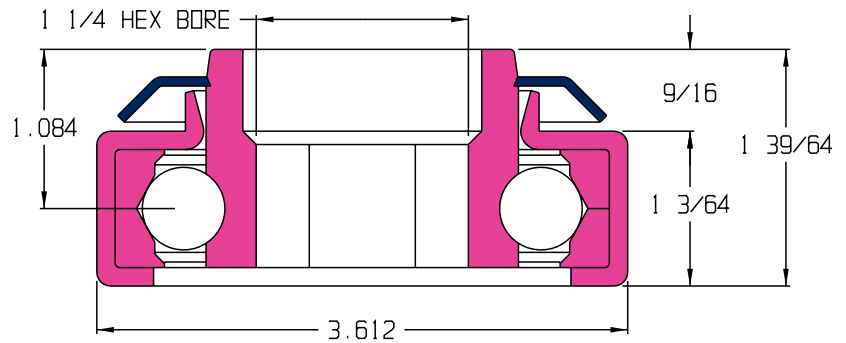
102205-GP

- Non-precision
- Stamped metal construction
- Zinc plated mild steel
- 2250 lb. load rating
- Temperature rating -10°F / 225°F
- Front & rear labyrinth shields
- Front felt seal
- Regreasable



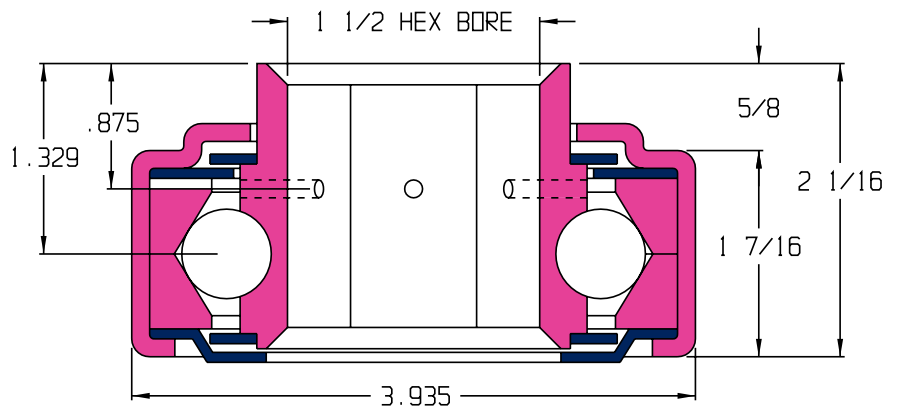
102200-O

- Non-precision
- Stamped metal construction
- Zinc plated mild steel
- 1800 lb. load rating
- Front shield



102320-GP

- Non-precision
- Stamped metal construction
- Zinc plated mild steel
- 3750 lb. load rating
- Temperature rating -10°F / 180°F
- Front & rear labyrinth shields
- Regreasable



102201-O

- Non-precision
- Stamped metal construction
- Zinc plated mild steel
- 3800 lb. load rating
- Front shield

