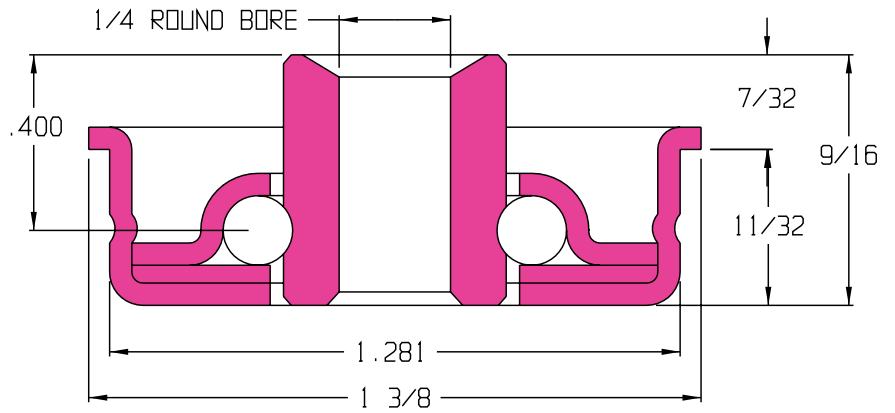


UNGROUND CRIMPED BEARINGS

111856-O

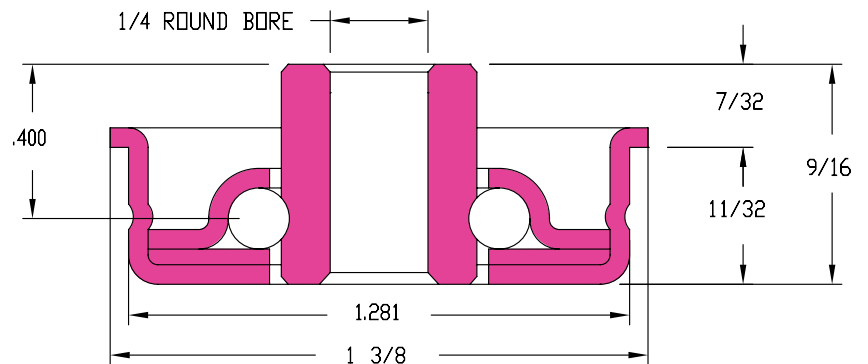
- Non-Precision
- Stamped metal construction
- Zinc plated mild steel
- 47 lb. load rating
- Temperature rating -20°F / 140°F



UNGROUND
CRIMPED

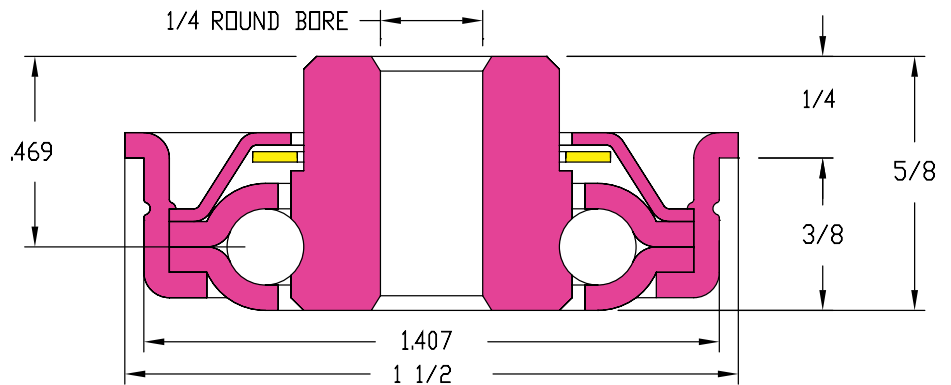
115901-O

- Non-Precision
- Stamped metal construction
- Zinc plated mild steel
- 47 lb. load rating
- Temperature rating -20°F / 140°F
- Max speed 200 rpm



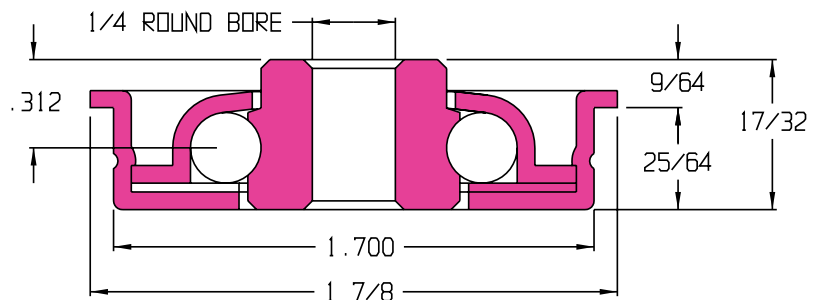
115934-O

- Non-Precision
- Stamped metal construction
- Zinc plated mild steel
- 75 lb. load rating
- Temperature rating -40°F / 140°F
- Front seal



102188-O

- Non-Precision
- Stamped metal construction
- Zinc plated mild steel
- 135 lb. load rating
- Temperature rating -20°F / 140°F
- Max speed 200 rpm

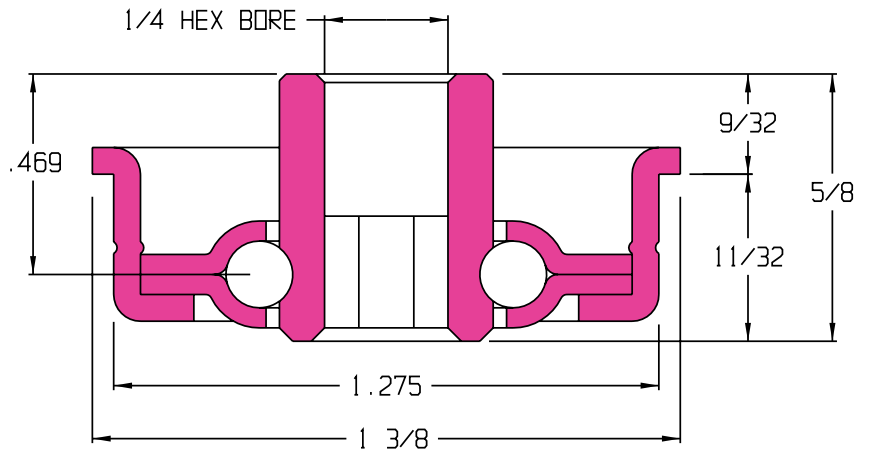


UNGROUND CRIMPED BEARINGS

UNGROUND CRIMPED

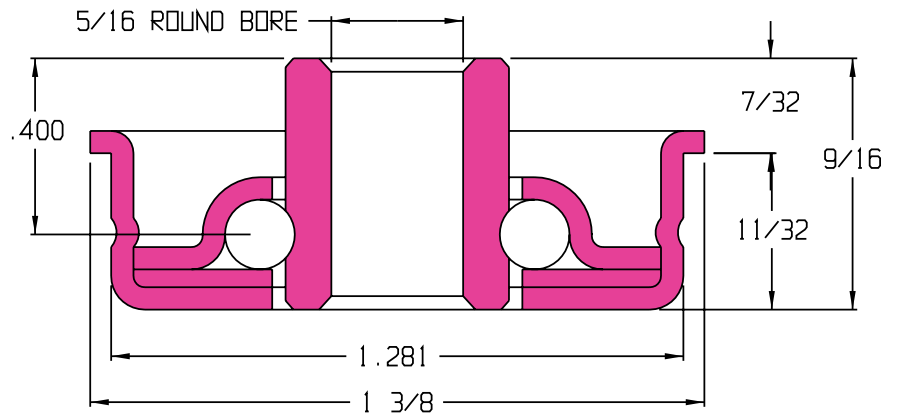
102178-O

- Non-Precision
- Stamped metal construction
- Zinc plated mild steel
- 47 lb. load rating
- Temperature rating -40°F / 140°F



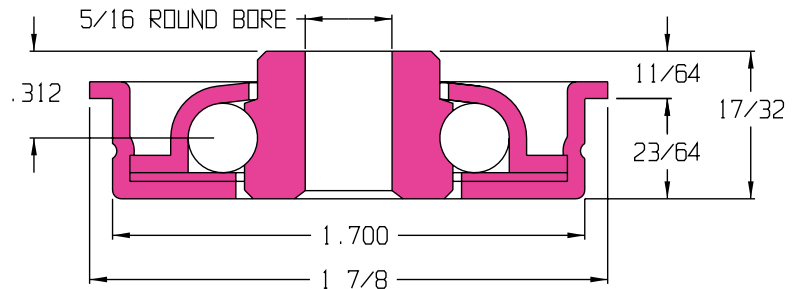
102241-O

- Non-Precision
- Stamped metal construction
- Zinc plated mild steel
- 60 lb. load rating
- Temperature rating -20°F / 140°F



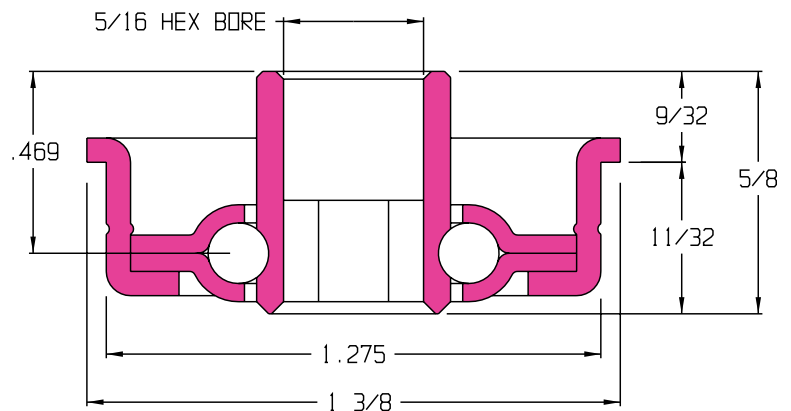
102259-GP & -O

- Non-Precision
- Stamped metal construction
- Zinc plated mild steel
- 135 lb. load rating
- Temperature rating -20°F / 350°F (140°F for oiled)
- Max speed 200 rpm



102044-O

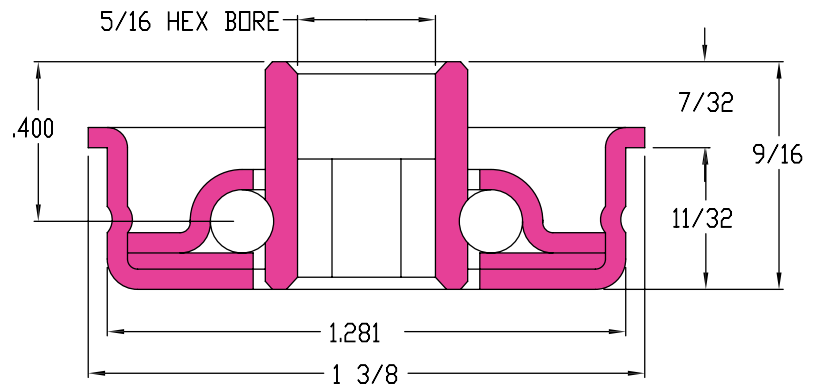
- Non-Precision
- Stamped metal construction
- Zinc plated mild steel
- 47 lb. load rating
- Temperature rating -40°F / 140°F



UNGROUND CRIMPED BEARINGS

102228-GP & -O

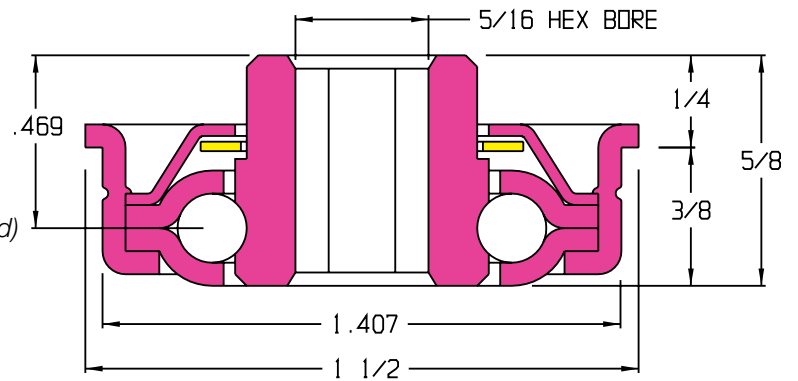
- Non-Precision
- Stamped metal construction
- Zinc plated mild steel
- 60 lb. load rating



UNGROUND
CRIMPED

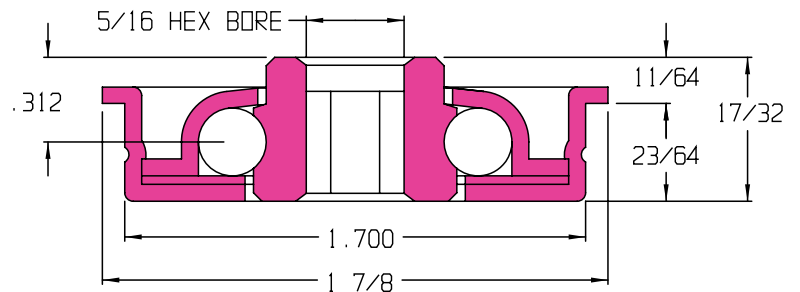
102175-GP & -O

- Non-Precision
- Stamped metal construction
- Zinc plated mild steel
- 75 lb. load rating
- Temperature rating -40°F / 250°F (140°F for oiled)
- Front seal



102248-O

- Non-Precision
- Stamped metal construction
- Zinc plated mild steel
- 135 lb. load rating
- Temperature rating -20°F / 140°F
- Max speed 200 rpm

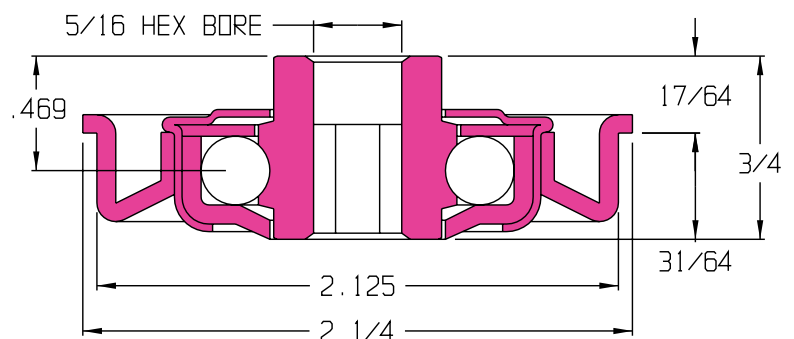


44832-O

Bearing Part No.: 102145

Adapter No.: 102057

- Non-Precision
- Stamped metal construction
- Zinc plated mild steel
- Stamped metal adapter
- 145 lb. load rating
- Temperature rating -40°F / 140°F



UNGROUND CRIMPED BEARINGS

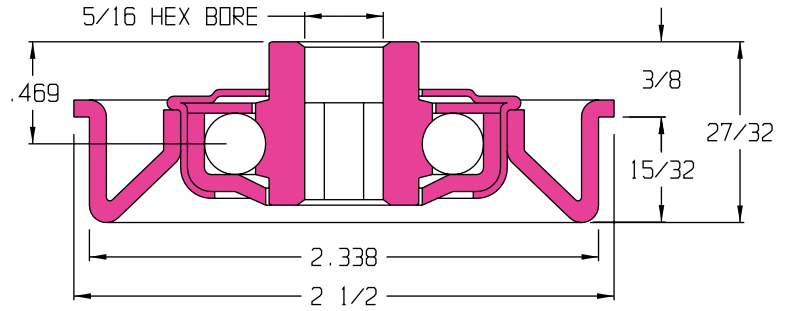
UNGROUND CRIMPED

44833-O

Bearing Part No.: 102145

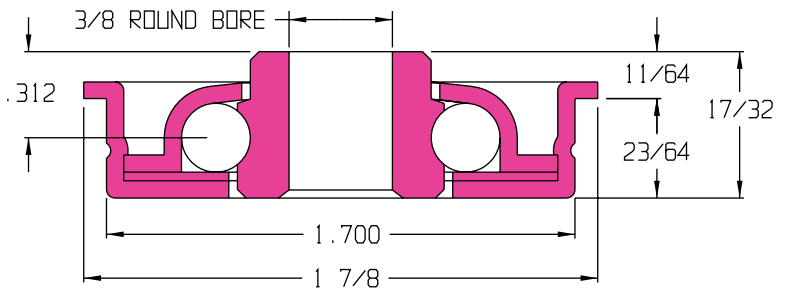
Adapter No.: 102058

- Non-Precision
- Stamped metal construction
- Zinc plated mild steel
- Stamped metal adapter
- 145 lb. load rating
- Temperature rating -40°F / 140°F
- Front & rear seals



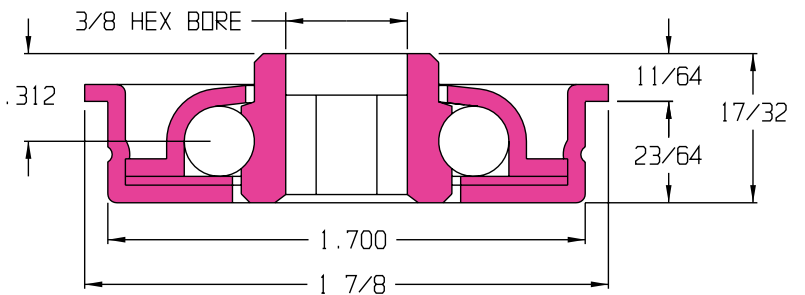
102293-O

- Non-Precision
- Stamped metal construction
- Zinc plated mild steel
- 135 lb. load rating
- Temperature rating -20°F / 140°F
- Max speed 200 rpm



102292-O

- Non-Precision
- Stamped metal construction
- Zinc plated mild steel
- 135 lb. load rating
- Temperature rating -20°F / 140°F
- Max speed 200 rpm

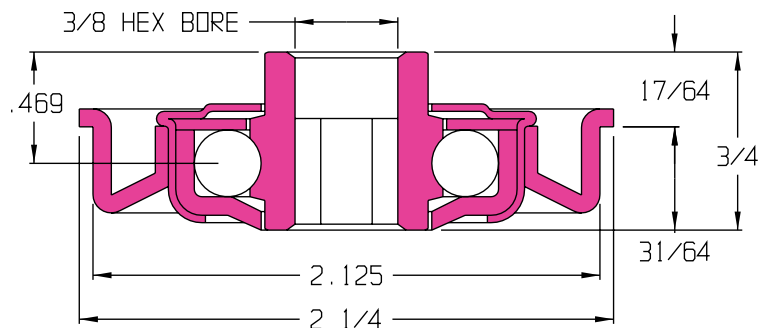


44834-O

Bearing Part No.: 102180

Adapter No.: 102057

- Non-Precision
- Stamped metal construction
- Zinc plated mild steel
- Stamped metal adapter
- 145 lb. load rating
- Temperature rating -40°F / 300°F



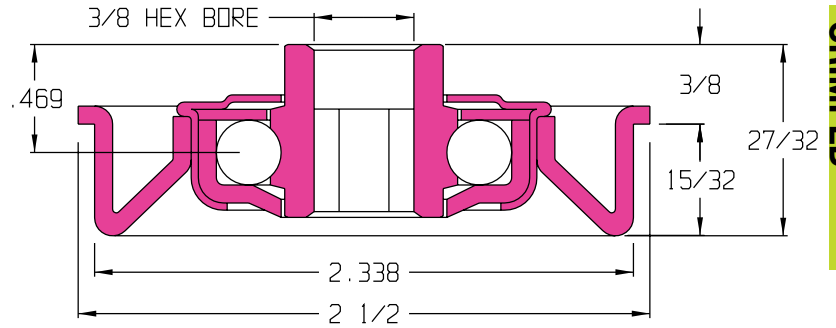
UNGROUND CRIMPED BEARINGS

44835-O

Bearing Part No.: 102180

Adapter No.: 102058

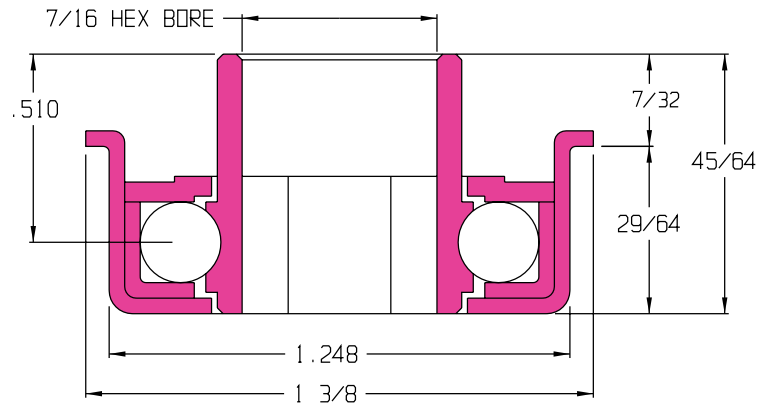
- Non-Precision
- Stamped metal construction
- Zinc plated mild steel
- Stamped metal adapter
- 145 lb. load rating
- Temperature rating -40°F / 300°F



UNGROUND CRIMPED

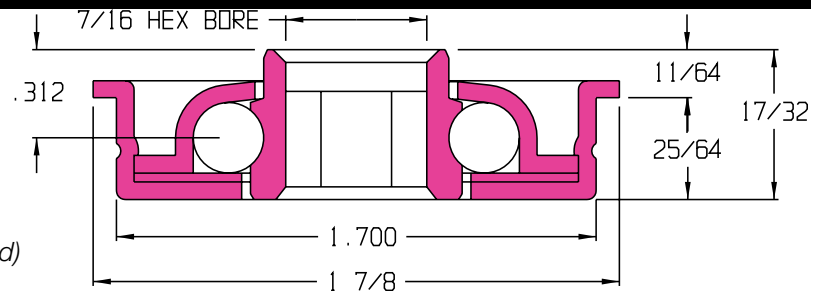
110528-GP & -O

- Non-Precision
- Stamped metal construction
- Zinc plated mild steel
- 198 lb. load rating
- Temperature rating -20°F / 350°F (140°F for oiled)



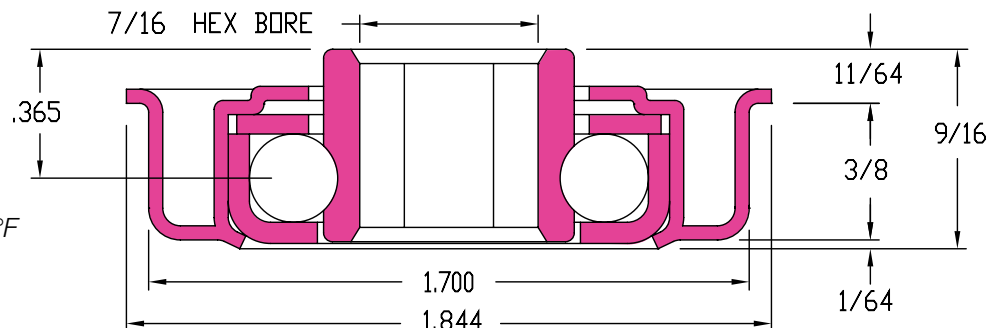
102154-GP & -O

- Non-Precision
- Stamped metal construction
- Zinc plated mild steel
- 135 lb. load rating
- Temperature rating -20°F / 350°F (140°F for oiled)
- Max speed 200 rpm



115899-GP & -O

- Non-Precision
- Stamped metal construction
- Zinc plated mild steel
- 135 lb. load rating
- Temperature rating -20°F / 350°F (140°F for oiled)
- Max speed 200 rpm

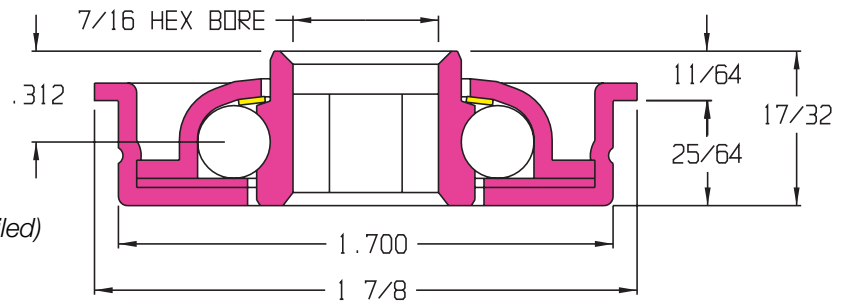


UNGROUND CRIMPED BEARINGS

UNGROUND CRIMPED

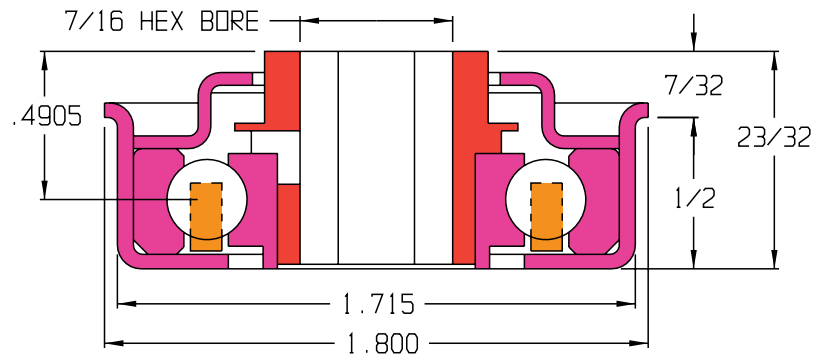
102279-GP & -O

- Non-Precision
- Stamped metal construction
- Zinc plated mild steel
- 135 lb. load rating
- Temperature rating -20°F / 250°F (140°F for oiled)
- Max speed 200 rpm
- Nylatron Seal



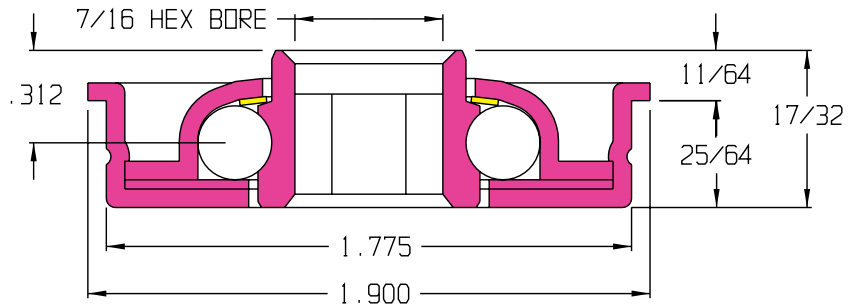
113500-GP

- Non-Precision
- Stamped metal construction
- Zinc plated mild steel
- 428 lb. load rating
- Temperature rating -20°F / 350°F
- Front felt seal
- Ball retainer
- Regreasable



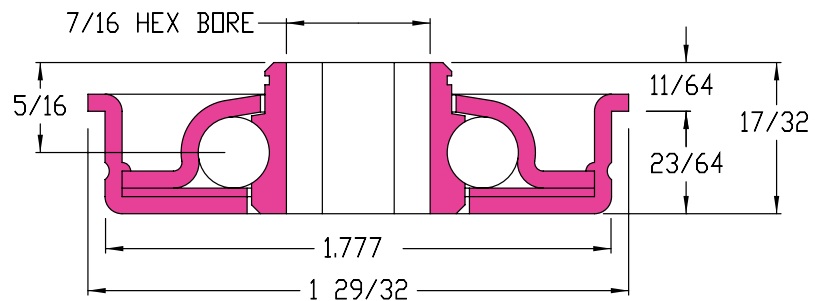
102304-O

- Non-Precision
- Stamped metal construction
- Zinc plated mild steel
- 135 lb. load rating
- Temperature rating -20°F / 140°F
- Max speed 200 rpm
- Nylatron seal



102160-GP & -O

- Non-Precision
- Stamped metal construction
- Zinc plated mild steel
- 130 lb. load rating
- Temperature rating -40°F / 300°F

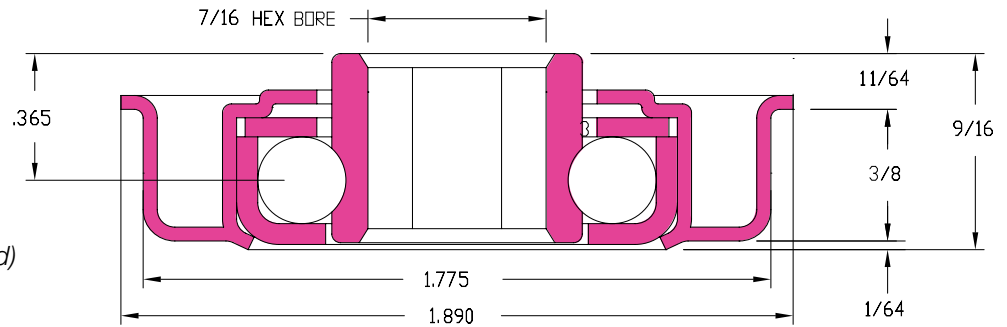


UNGROUND CRIMPED BEARINGS

UNGROUND CRIMPED

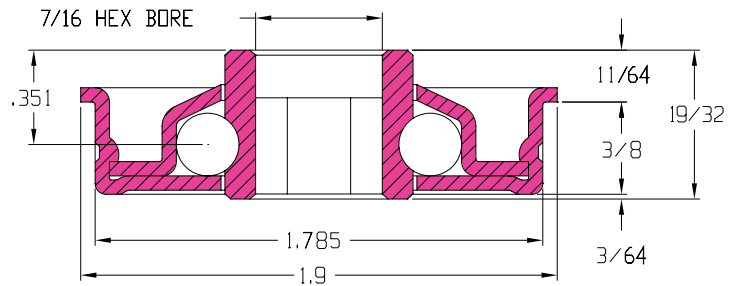
115902-GP & -O

- Non-Precision
- Stamped metal construction
- Zinc plated mild steel
- 130 lb. load rating
- Temperature rating -40°F / 350°F (140°F for oiled)
- Max speed 200 rpm



115971- GP

- Non-Precision
- Stamped metal construction
- 300 series stainless steel
- 140 lb. load rating
- Temperature rating -40°F/300°F
- Max speed 200 rpm

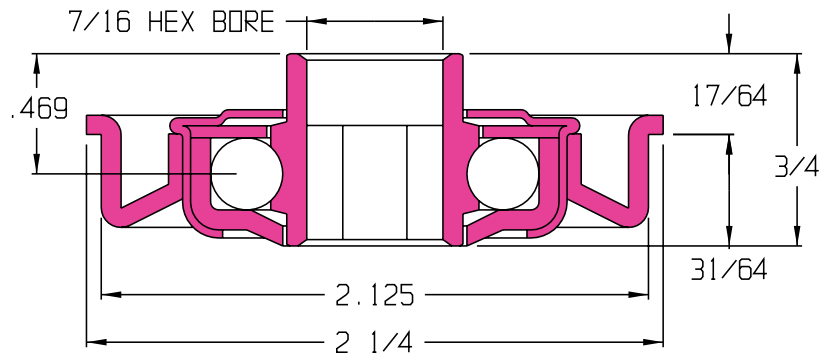


102311

Bearing Part No.: 102052

Adapter No.: 102057

- Non-Precision
- Stamped metal construction
- Zinc plated mild steel
- Stamped metal adapter
- 145 lb. load rating
- Temperature rating -40°F / 140°F
- Lightly oiled



102312

Bearing Part No.: 102053

Adapter No.: 102057

- Non-Precision
- Stamped metal construction
- Zinc plated mild steel
- Stamped metal adapter
- 145 lb. load rating
- Temperature rating -40°F / 250°F
- Front & rear seals
- Grease packed

