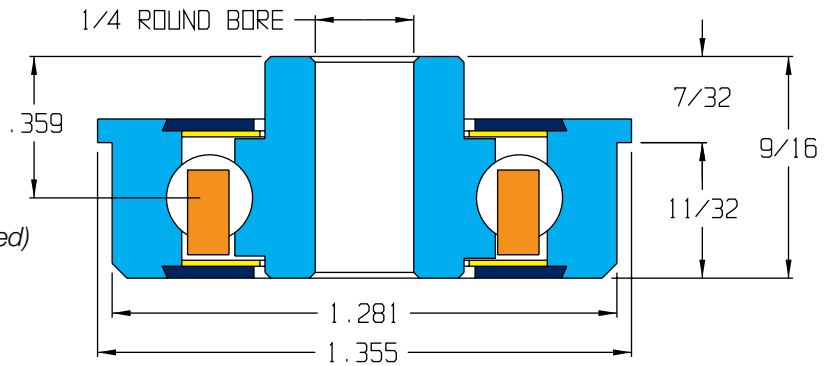


SEMI-PRECISION BEARINGS

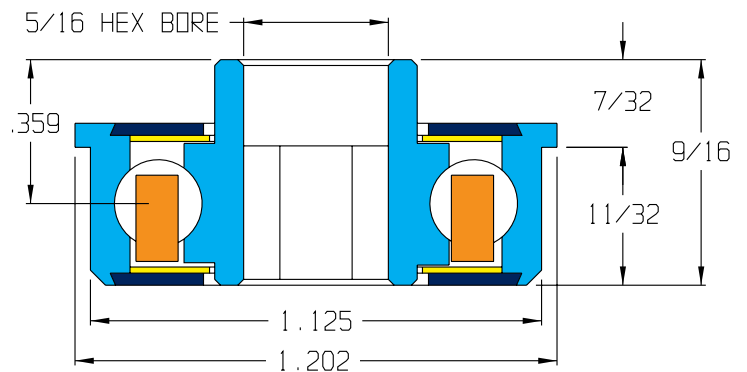
111692-GP & -O

- Semi-precision
- Machined metal construction
- Heat treated mild steel
- 276 lb. load rating
- Temperature rating -20°F / 220°F (140°F for oiled)
- Max speed 1200 rpm
- Front & rear nylatron seal
- Front & rear shield
- Ball retainer



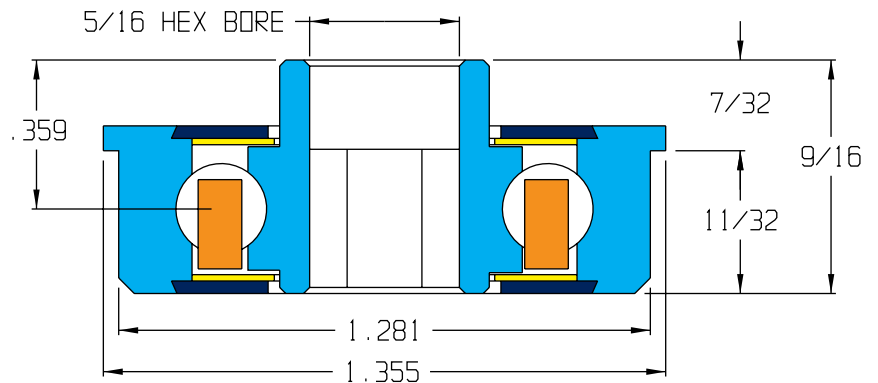
113365

- Semi-precision
- Machined metal construction
- Heat treated mild steel
- 276 lb. load rating
- Temperature rating -20°F / 220°F
- Max speed 1200 rpm
- Front & rear nylatron seal
- Front & rear shield
- Ball retainer
- Grease packed



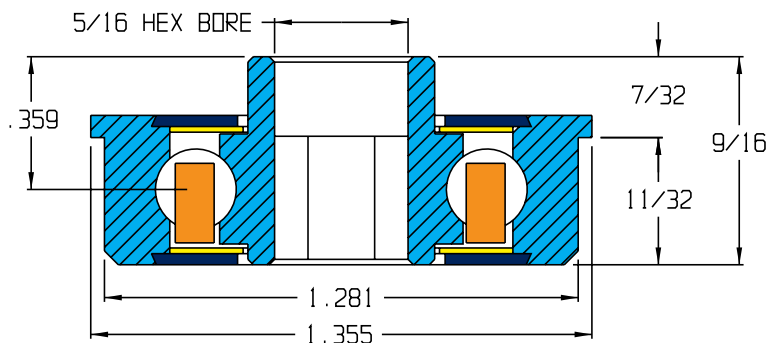
102274-GP & -O

- Semi-precision
- Machined metal construction
- Heat treated mild steel
- 276 lb. load rating
- Temperature rating -20°F / 220°F (140°F for oiled)
- Max speed 1200 rpm
- Front & rear nylatron seal
- Front & rear shield
- Ball retainer



113141-O

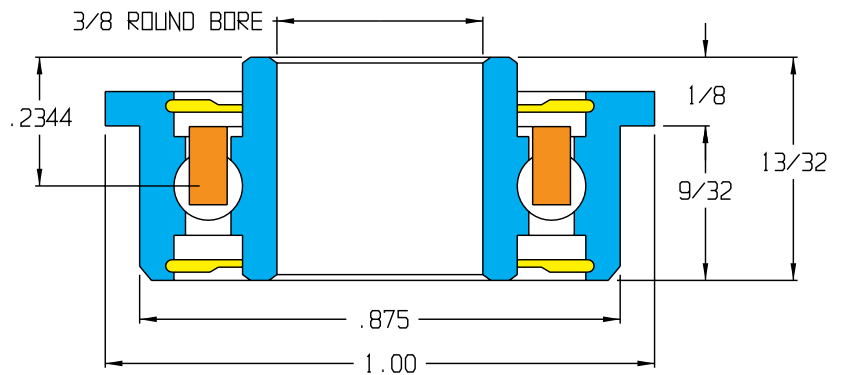
- Semi-precision
- Machined metal construction
- 316 Stainless steel
- 276 lb. load rating
- Temperature rating -20°F / 220°F
- Max speed 1200 rpm
- Front & rear nylatron seal
- Front & rear 304 stainless steel shield
- Ball retainer



SEMI-PRECISION BEARINGS

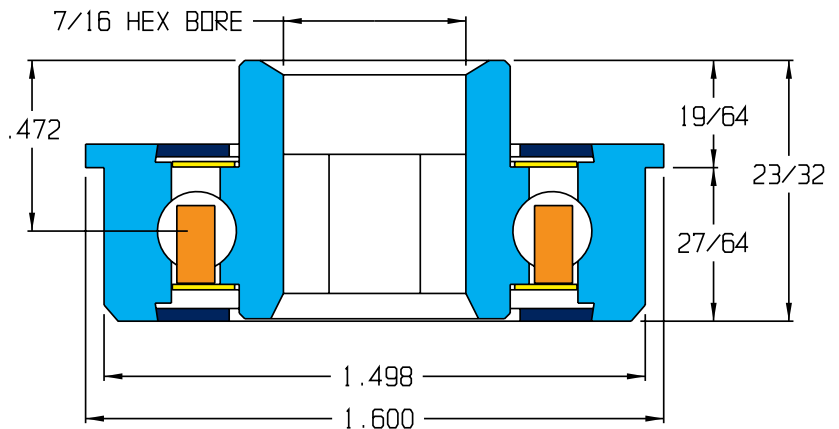
115137-GP

- Semi-precision
- Machined metal construction
- Heat treated mild steel
- 450 lb. load rating
- Temperature rating -10°F / 225°F
- Max speed 2500 rpm
- Front & rear seals
- Ball retainer



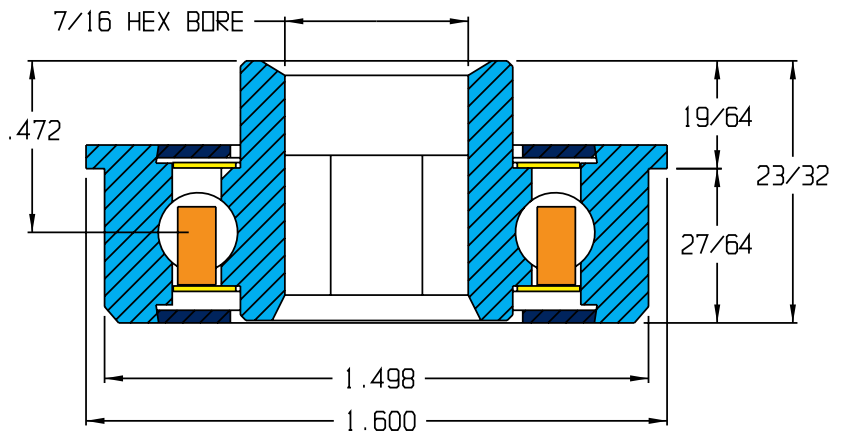
102251-GP & -O

- Semi-precision
- Machined metal housing
- Heat treated mild steel
- 302 lb. load rating
- Temperature rating -20°F / 220°F (140°F for oiled)
- Max speed 1200 rpm
- Front & rear nylatron seal
- Front & rear shield
- Ball retainer



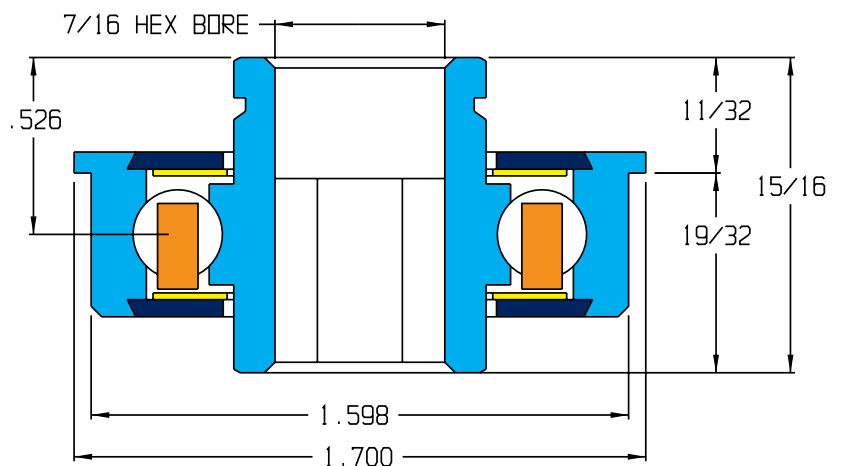
113870-GP

- Semi-precision
- Machined metal construction
- 316 Stainless steel
- 302 lb. load rating
- Temperature rating -20°F / 220°F
- Max speed 1200 rpm
- Front & rear nylatron seal
- Front & rear 304 stainless steel shield
- Ball retainer



110260-O

- Semi-precision
- Machined metal construction
- Heat treated mild steel
- 428 lb. load rating
- Temperature rating -20°F / 140°F
- Max speed 1200 rpm
- Front & rear seals
- Front & rear shields
- Ball retainer

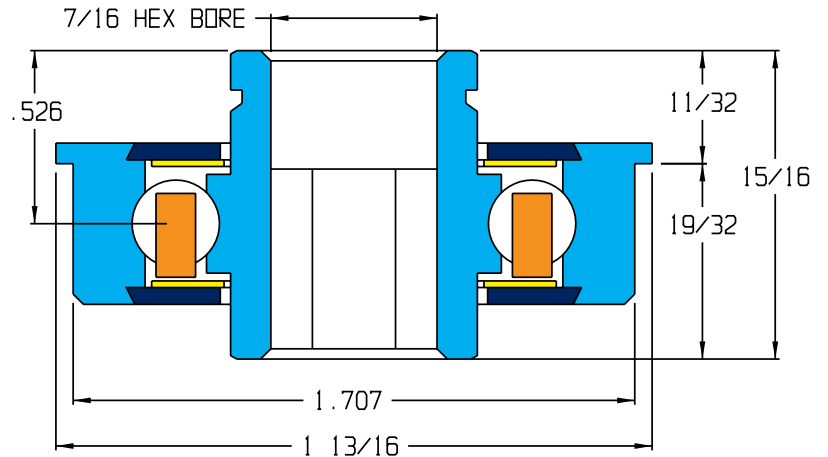


SEMI-PRECISION

SEMI-PRECISION BEARINGS

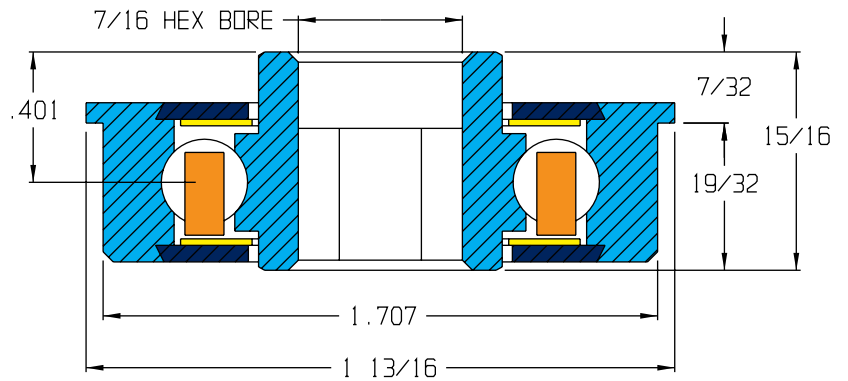
102155-GP

- Semi-precision
- Machined metal housing
- Heat treated mild steel
- 428 lb. load rating
- Temperature rating $-20^{\circ}\text{F} / 220^{\circ}\text{F}$
- Max speed 1200 rpm
- Front & rear nylatron seal
- Front & rear shield
- Ball retainer



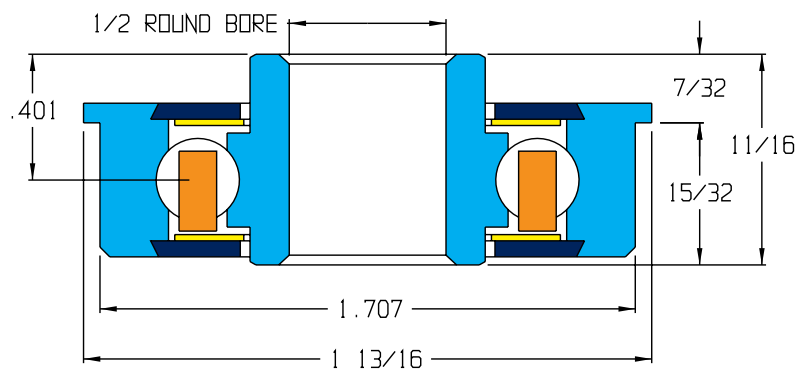
110244-GP

- Semi-precision
- Machined metal construction
- 316 Stainless steel
- 142 lb. load rating
- Temperature rating $-20^{\circ}\text{F} / 220^{\circ}\text{F}$
- Max speed 1200 rpm
- Front & rear nylatron seal
- Front & rear 304 stainless steel shield
- Ball retainer



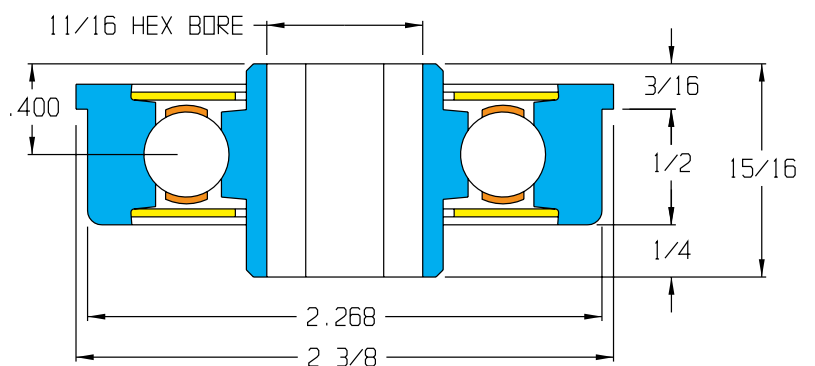
113584-GP & -O

- Semi-precision
- Machined metal housing
- Heat treated mild steel
- 428 lb. load rating
- Temperature rating $-20^{\circ}\text{F} / 220^{\circ}\text{F}$ (140°F for oiled)
- Max speed 1200 rpm
- Front & rear nylatron seal
- Front & rear shield
- Ball retainer



102139-GP

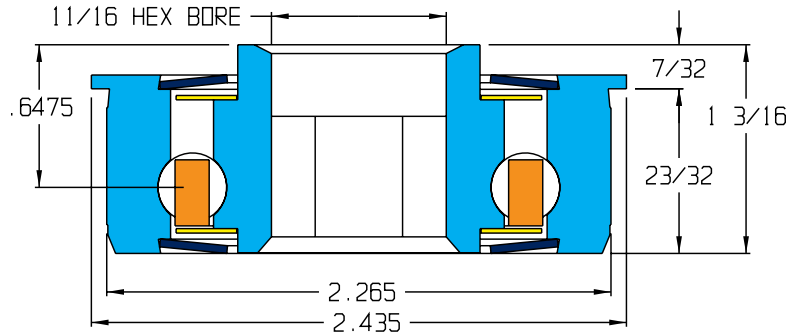
- Semi-precision
- Machined metal housing
- Heat treated mild steel
- 1113 lb. load rating
- Temperature rating $-30^{\circ}\text{F} / 260^{\circ}\text{F}$
- Front & rear nitrile seal
- Ball retainer



SEMI-PRECISION BEARINGS

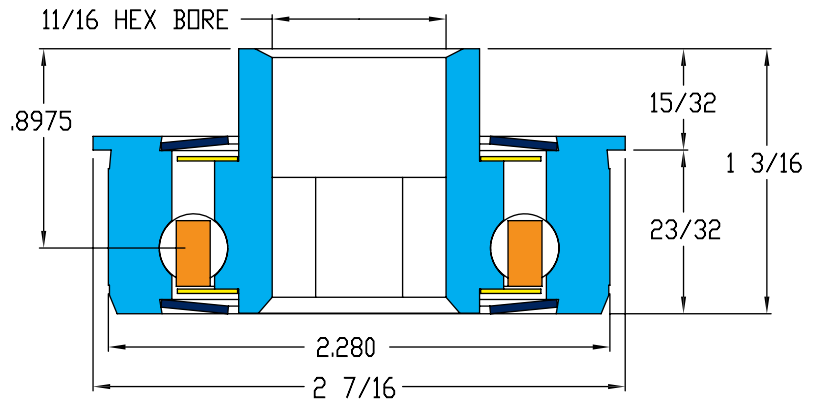
112974-GP

- Semi-precision
- 1050 lb. load rating
- Machined metal housing
- Heat treated mild steel
- Temperature rating $-20^{\circ}\text{F} / 220^{\circ}\text{F}$
- Max speed 1200 rpm
- Front & rear seals
- Front & rear shields
- Ball retainer



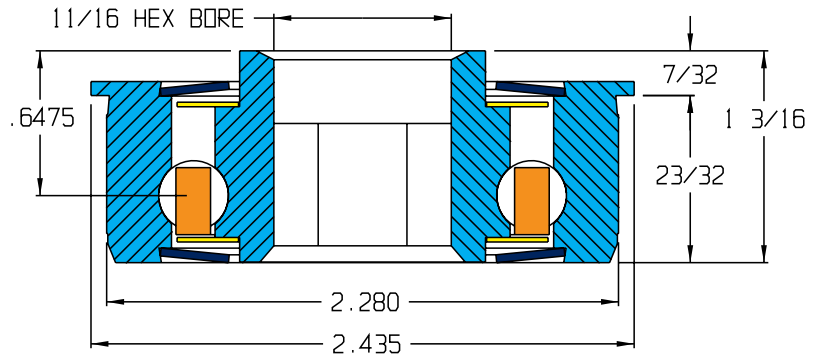
112896-GP

- Semi-precision
- Machined metal construction
- Heat treated mild steel
- 1050 lb. load rating
- Temperature rating $-20^{\circ}\text{F} / 220^{\circ}\text{F}$
- Max speed 1200 rpm
- Front & rear shields
- Front & rear seals
- Ball retainer
- Replaceable



114416-GP

- Semi-precision
- 350 lb. load rating
- Machined metal housing
- 316 Stainless steel
- Temperature rating $-20^{\circ}\text{F} / 220^{\circ}\text{F}$
- Max speed 1200 rpm
- Front & rear seals
- Front & rear shields
- Ball retainer

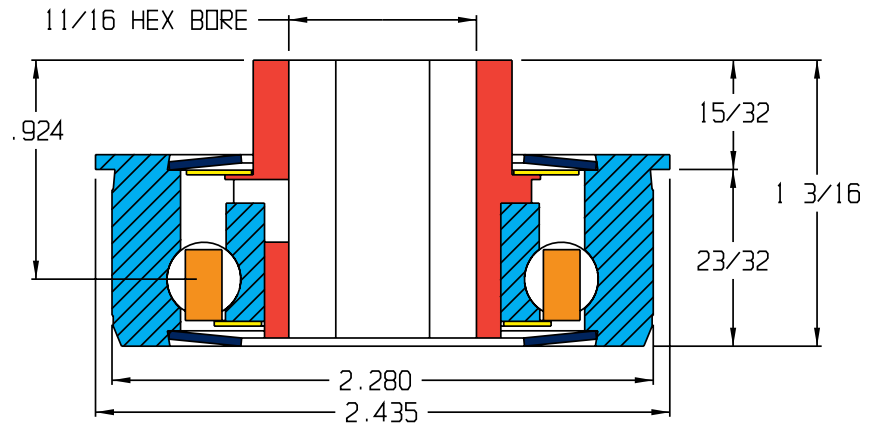


SEMI-PRECISION

SEMI-PRECISION BEARINGS

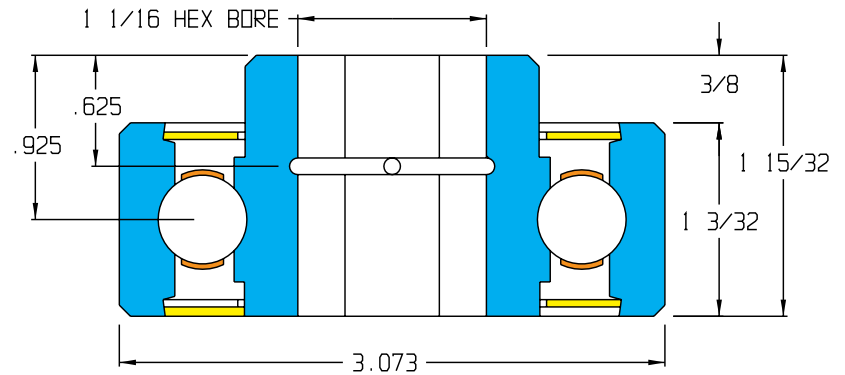
112768-GP

- Semi-precision
- 350 lb. load rating
- Machined metal housing
- 316 Stainless steel
- Temperature rating $-20^{\circ}\text{F} / 220^{\circ}\text{F}$
- Max speed 1200 rpm
- Front & rear seals
- Front & rear shields
- Plastic inner race
- Ball retainer
- Regreasable



102101-GP

- Semi-precision
- 2065 lb. load rating
- Machined metal housing
- Heat treated mild steel
- Temperature rating $-30^{\circ}\text{F} / 260^{\circ}\text{F}$
- Front & rear Teflon seal
- Regreasable
- Ball retainers



45077-GP

Bearing Part No.: 102101-GP

Sleeve Part No.: 45052

- Semi-precision
- Machined metal housing
- Heat treated mild steel
- Metal adapter sleeve
- 2065 lb. load rating
- Temperature rating $-30^{\circ}\text{F} / 260^{\circ}\text{F}$
- Front & rear Teflon seals
- Ball retainer
- Regreaseable
- Replaceable

