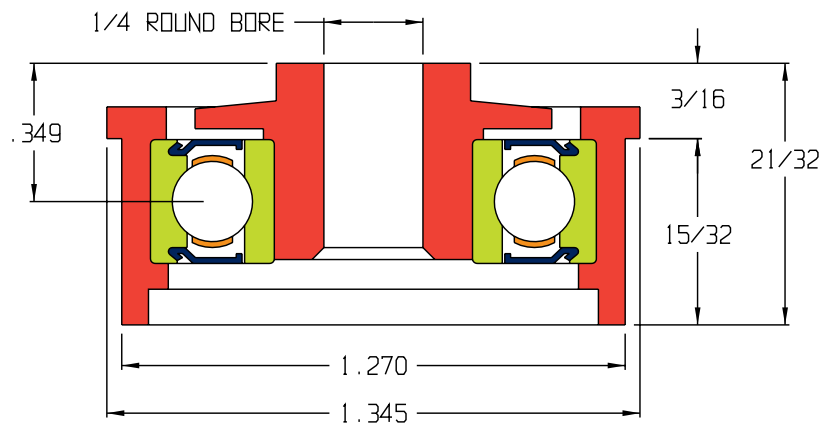


## POLYPROPYLENE HOUSED ABEC-1 PRECISION BEARINGS

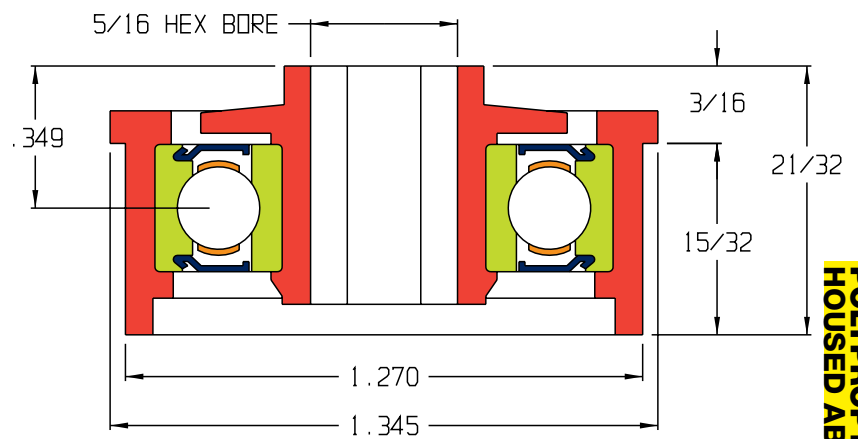
### 114234-O

- ABEC-1 Precision
- 300 lb. load rating
- Polypropylene housing
- Temperature rating -10°F / 200°F
- Front & rear shields
- Ball retainer



### 114231-GP

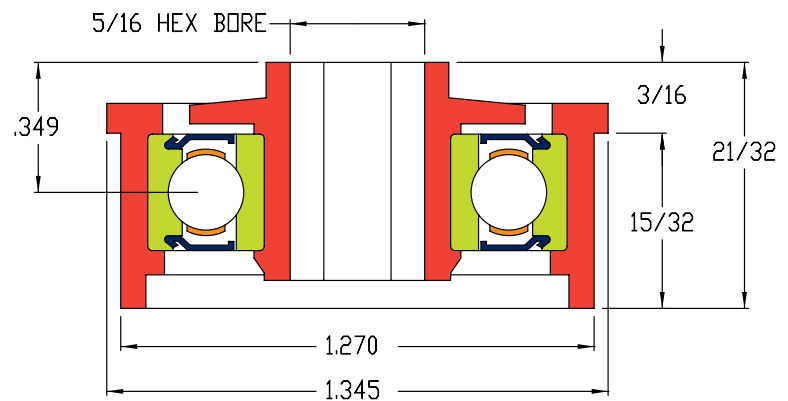
- ABEC-1 Precision
- 300 lb. load rating
- Polypropylene housing
- Temperature rating -10°F / 200°F
- Front & rear shields
- Ball retainer



POLYPROPYLENE  
HOUSED ABEC-1

### 114233-O

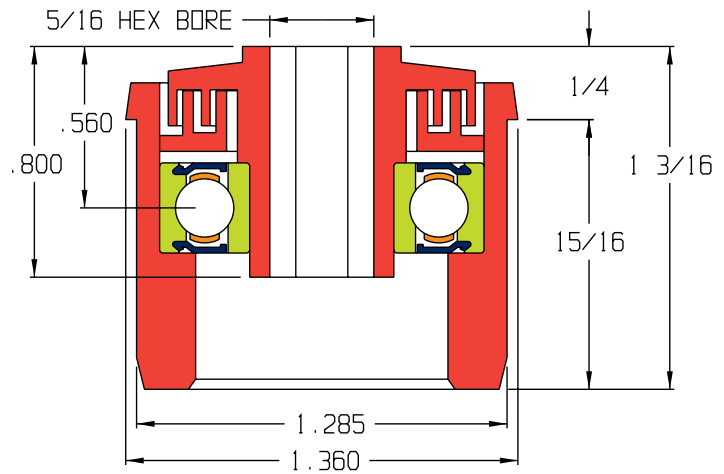
- ABEC-1 Precision
- 300 lb. load rating
- Polypropylene outer housing
- Temperature rating -20°F / 200°F
- Front & rear shields
- Ball retainer



## POLYPROPYLENE HOUSED ABEC-1 PRECISION BEARINGS

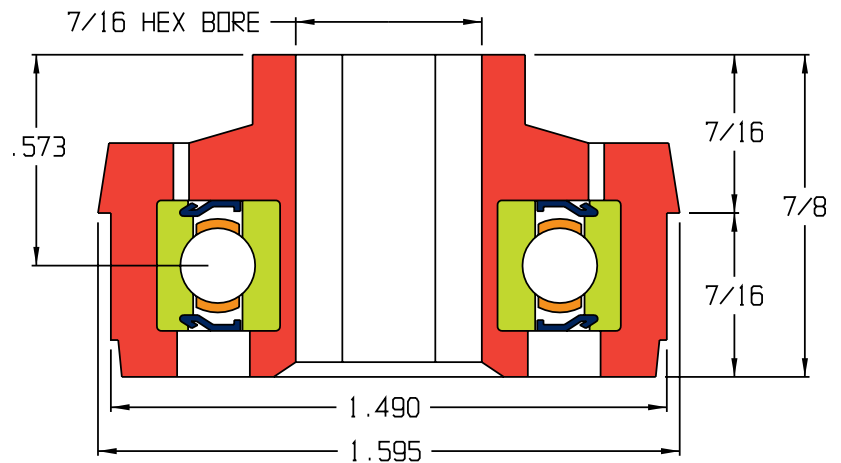
### 113499-GP

- ABEC-1 Precision
- 300 lb. load rating
- Polypropylene housing and hex adapter
- Temperature rating 10°F / 150°F
- Front double-labyrinth shielded housing
- Front and back bearing metal shield
- Ball retainer



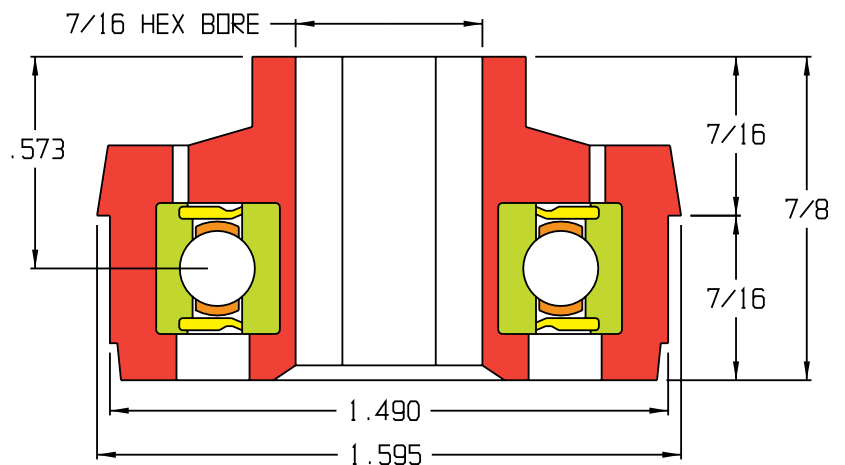
### 114235-GP

- ABEC-1 Precision
- 300 lb. load rating
- Polypropylene housing
- Temperature rating -10°F / 200°F
- Front & rear shields
- Ball retainer



### 114236-GP

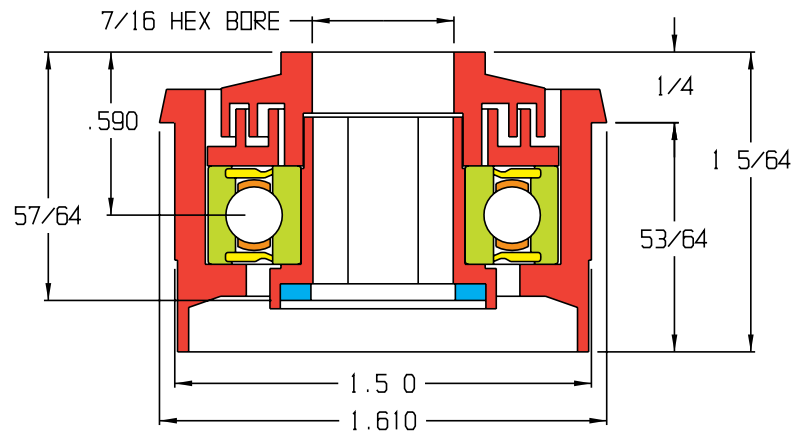
- ABEC-1 Precision
- 300 lb. load rating
- Polypropylene housing
- Temperature rating -10°F / 200°F
- Front & rear seals
- Ball retainer



## POLYPROPYLENE HOUSED ABEC-1 PRECISION BEARINGS

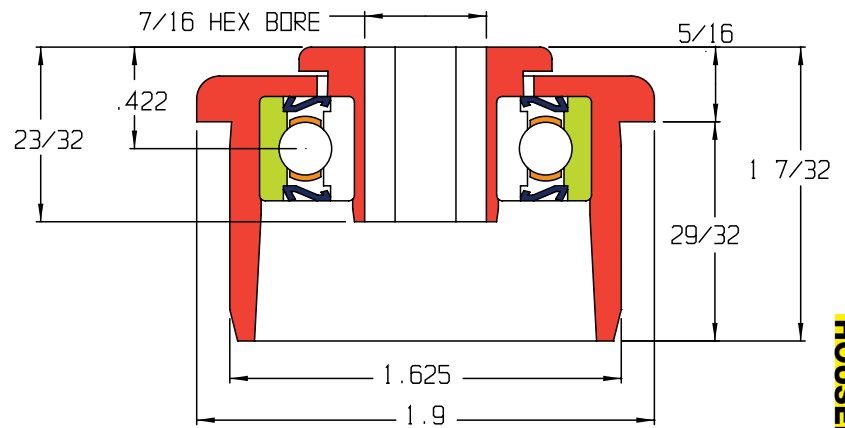
### 114092-GP

- ABEC-1 Precision
- 300 lb. load rating
- Polypropylene housing
- Temperature rating 10°F / 150°F
- Front & rear seals
- Double labyrinth shields
- Ball retainer
- Metal washer



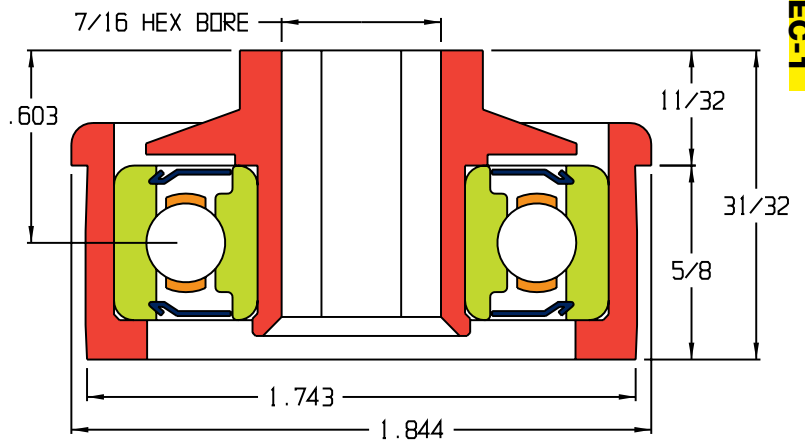
### 114879-GP

- ABEC-1 Precision
- 300 lb. load rating
- Polypropylene housing and hex adapter
- Temperature rating -10°F / 200°F
- Front & rear shields
- Ball retainer



### 114135-GP

- ABEC-1 Precision
- 300 lb. load rating
- Polypropylene housing
- Temperature rating -10°F / 200°F
- Front & rear shields
- Ball retainer

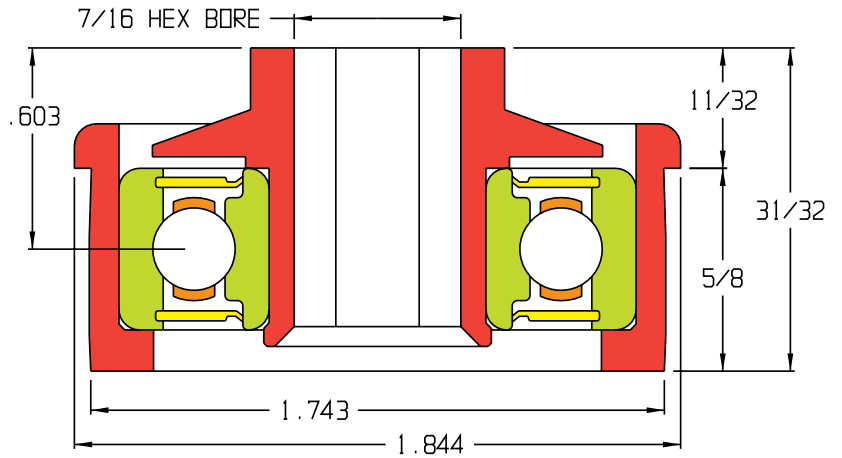


POLYPROPYLENE  
HOUSED ABEC-1

# POLYPROPYLENE HOUSED ABEC-1 PRECISION BEARINGS

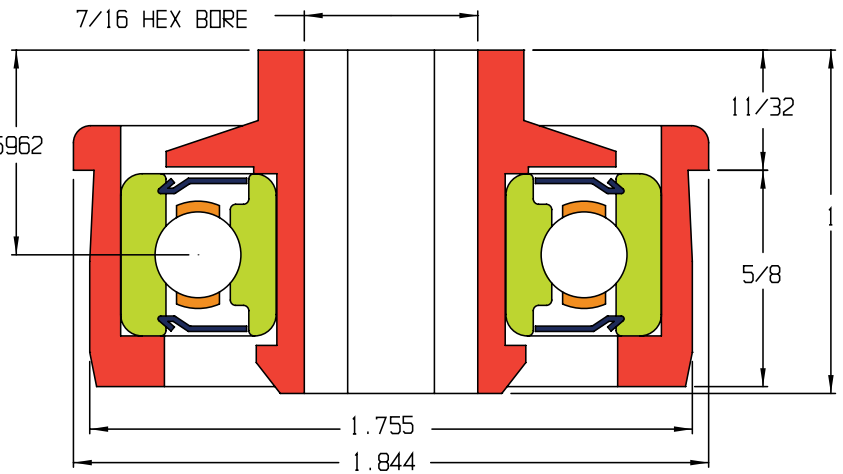
## 114209-GP

- ABEC-1 Precision
- 300 lb. load rating
- Polypropylene housing
- Temperature rating -10°F / 200°F
- Front & rear seals
- Ball retainer



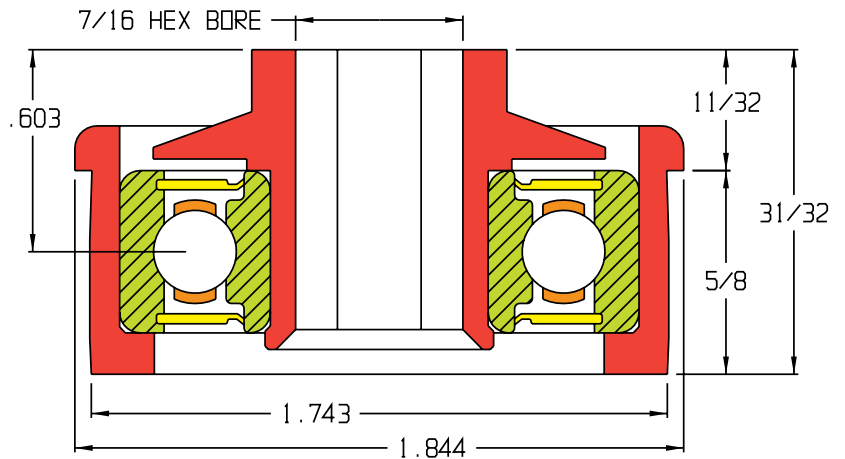
## 114208-O

- ABEC-1 Precision
- 300 lb. load rating
- Polypropylene housing and hex adapter .5962
- Temperature rating -10°F / 200°F
- Front & rear shields
- Ball retainer



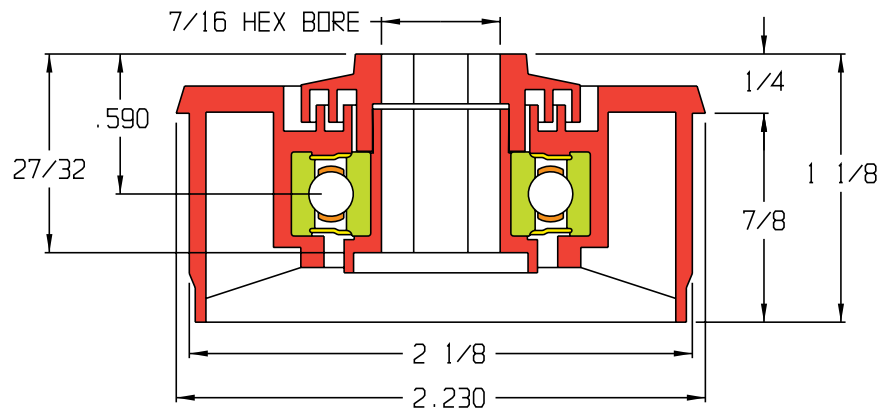
## 114210-GP

- ABEC-1 Precision
- 300 lb. load rating
- Polypropylene housing
- 316 Stainless Steel construction
- Temperature rating -10°F / 200°F
- Front & rear seals
- Ball retainer



## 114734-GP

- ABEC-1 Precision
- 300 lb. load rating
- Polypropylene housing
- Temperature rating 10°F / 150°F
- Front & rear seals
- Double labyrinth shields
- Ball retainer

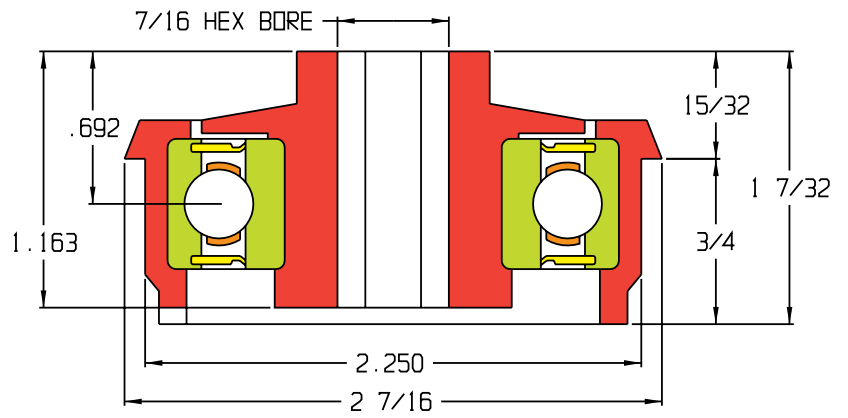


POLYPROPYLENE HOUSED ABEC-1

# POLYPROPYLENE HOUSED ABEC-1 PRECISION BEARINGS

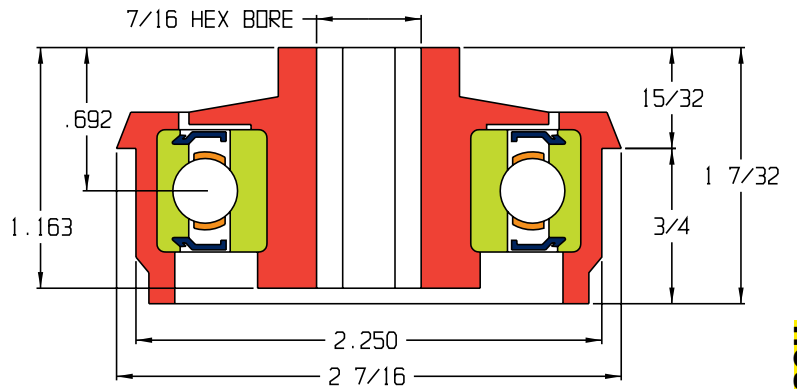
## 114193-GP

- ABEC-1 Precision
- 300 lb. load rating
- Polypropylene housing
- Temperature rating -10°F / 200°F
- Front seal
- Front & rear shields



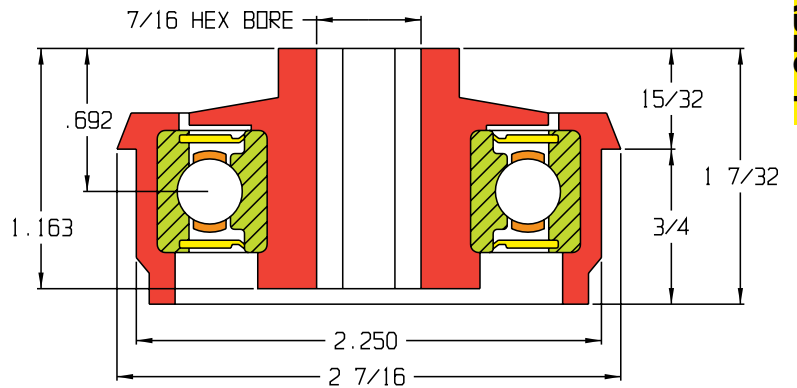
## 114200-GP

- ABEC-1 Precision
- 300 lb. load rating
- Polypropylene housing
- Temperature rating -10°F / 200°F
- Front & rear shields
- Ball retainer



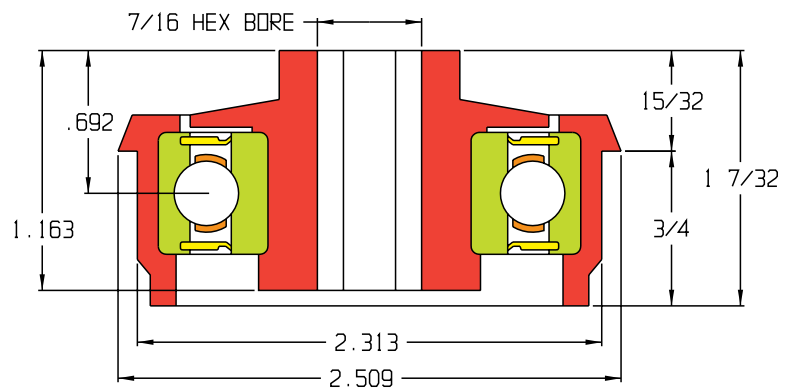
## 114238-GP

- ABEC-1 Precision
- 300 lb. load rating
- Polypropylene housing
- 440C Stainless Steel construction
- Temperature rating -10°F / 200°F
- Front & rear seals
- Ball retainer



## 114197-GP

- ABEC-1 Precision
- 300 lb. load rating
- Polypropylene housing
- Temperature rating -10°F / 200°F
- Front & rear seals
- Ball retainer

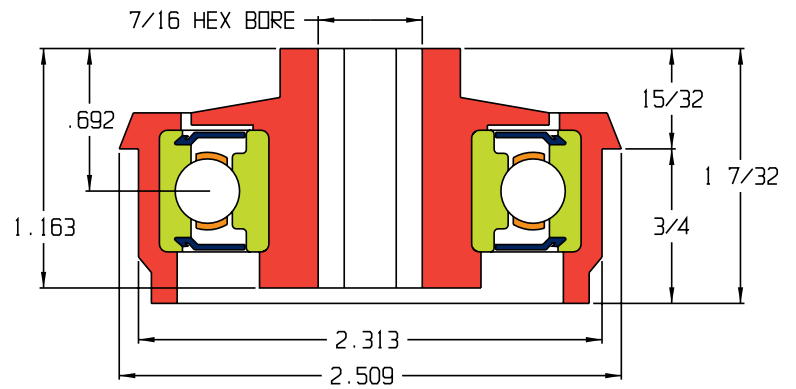


POLYPROPYLENE HOUSED ABEC-1

## POLYPROPYLENE HOUSED ABEC-1 PRECISION BEARINGS

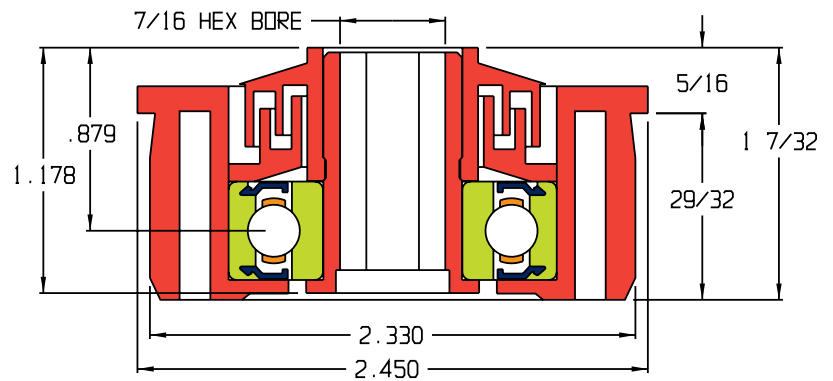
### 114203-GP

- ABEC-1 Precision
- 300 lb. load rating
- Polypropylene housing
- Temperature rating -10°F / 200°F
- Front & rear shields
- Ball retainer



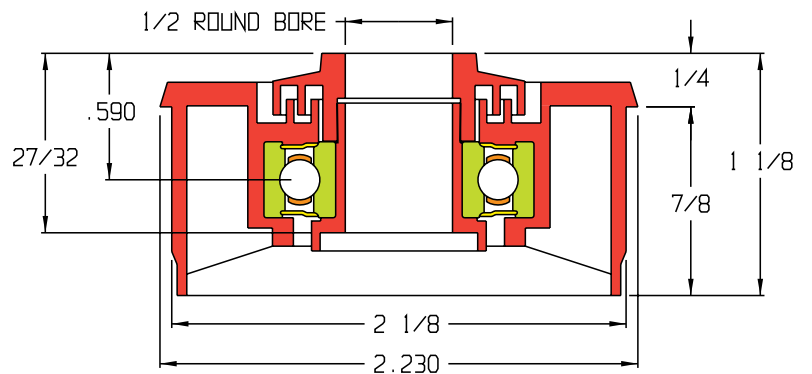
### 114091-GP

- ABEC-1 Precision
- 300 lb. load rating
- Polypropylene housing
- Temperature rating 10°F / 150°F
- Front & rear shields
- Double labyrinth shields
- Ball retainer



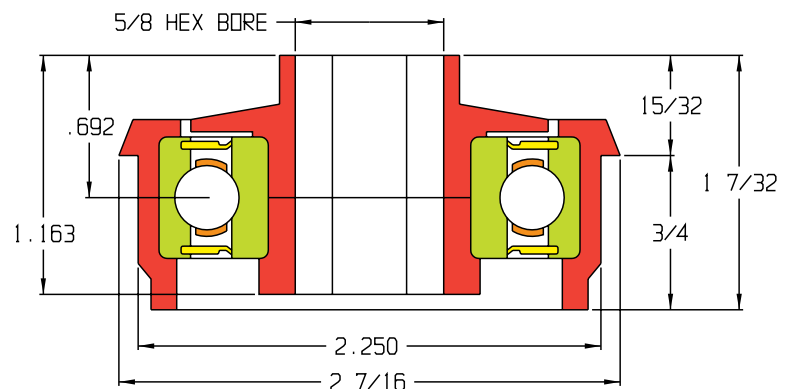
### 114735-GP

- ABEC-1 Precision
- 300 lb. load rating
- Polypropylene housing
- Temperature rating 10°F / 150°F
- Front & rear seals
- Double labyrinth shields
- Ball retainer



### 114195-GP

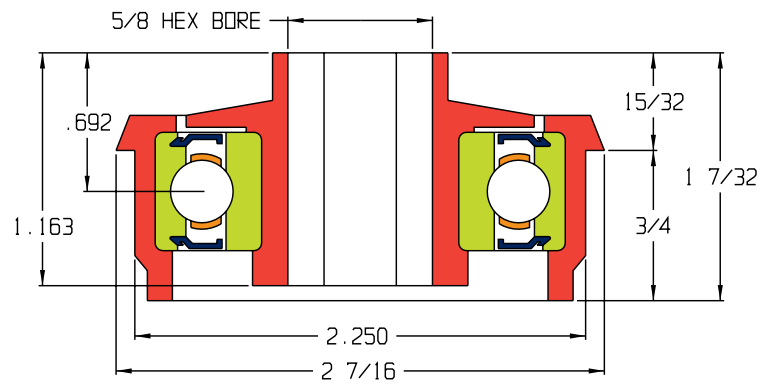
- ABEC-1 Precision
- 300 lb. load rating
- Polypropylene housing
- Temperature rating -10°F / 200°F
- Front & rear seals
- Ball retainer



## POLYPROPYLENE HOUSED ABEC-1 PRECISION BEARINGS

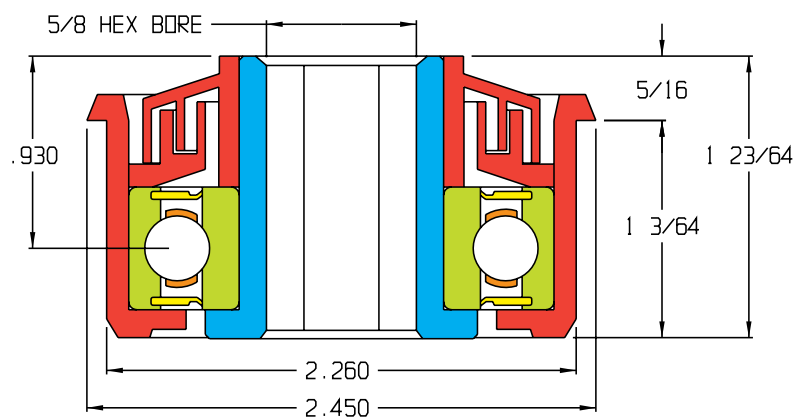
### 114201-GP

- ABEC-1 Precision
- 300 lb. load rating
- Polypropylene housing
- Temperature rating -10°F / 200°F
- Front & rear shields
- Ball retainer



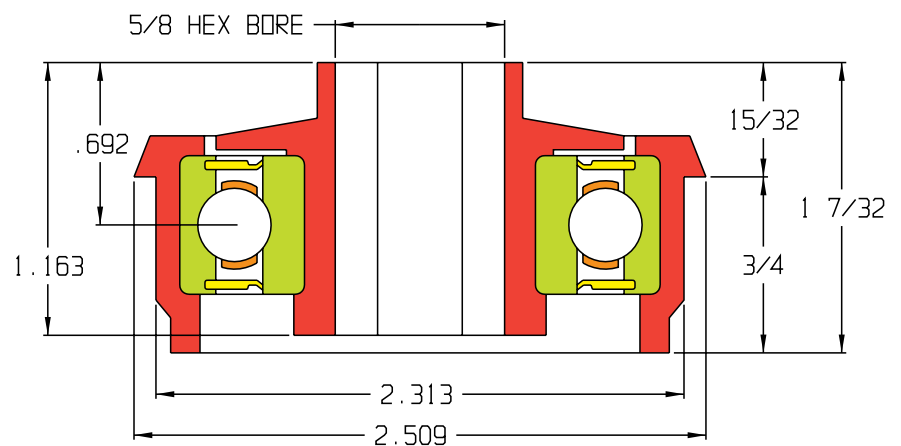
### 114090-GP

- ABEC-1 Precision
- 300 lb. load rating
- Polypropylene housing
- Machined metal inner race
- Temperature rating 10°F / 150°F
- Front & rear seals
- Double labyrinth shields
- Ball retainer



### 114198-GP

- ABEC-1 Precision
- 300 lb. load rating
- Polypropylene housing
- Temperature rating -10°F / 200°F
- Front & rear seals
- Ball retainer

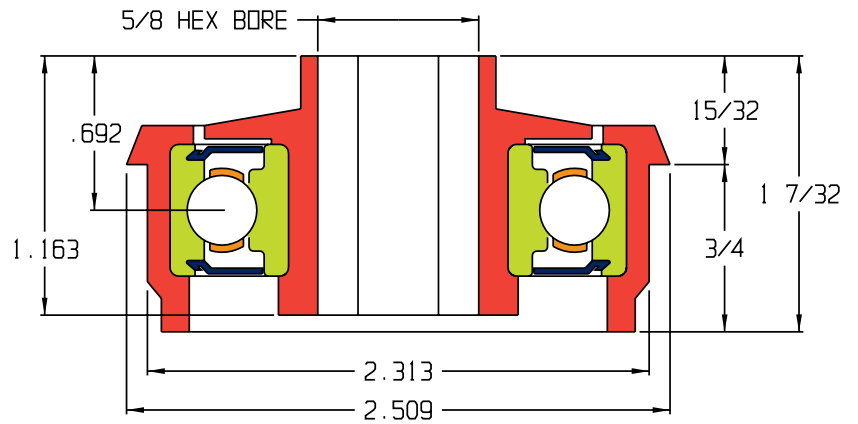


POLYPROPYLENE  
HOUSED ABEC-1

## POLYPROPYLENE HOUSED ABEC-1 PRECISION BEARINGS

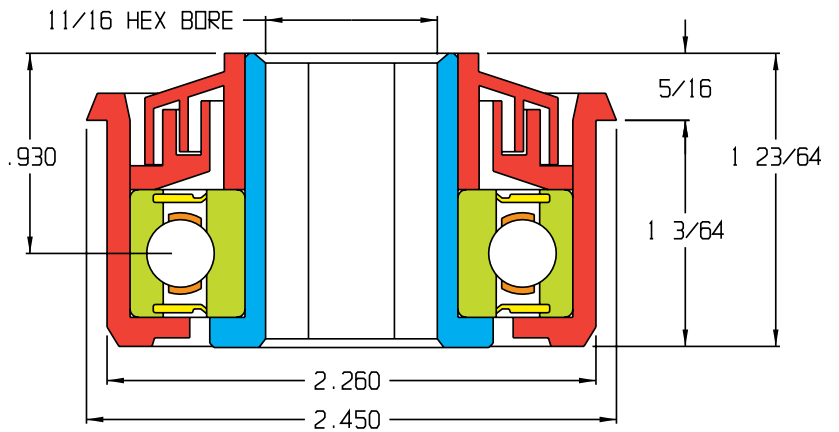
### 114204-GP

- ABEC-1 Precision
- 300 lb. load rating
- Polypropylene housing
- Temperature rating -10°F / 200°F
- Front & rear shields
- Ball retainer



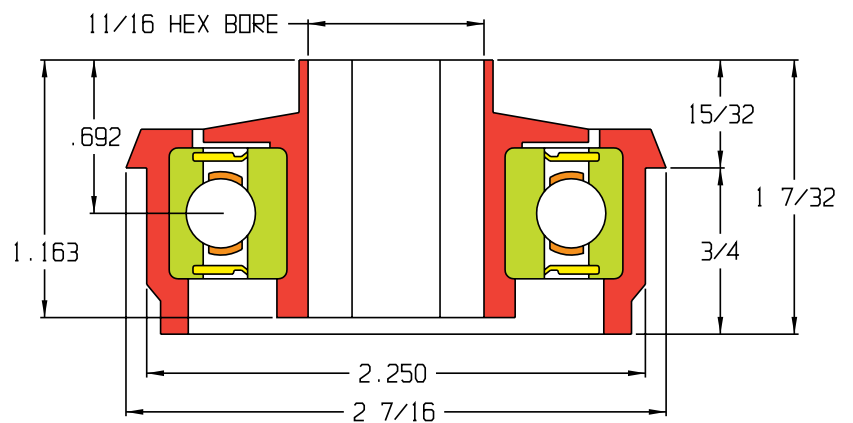
### 113498-GP

- ABEC-1 Precision
- 300 lb. load rating
- Polypropylene housing
- Machined metal inner race
- Temperature rating 10°F / 150°F
- Front & rear seals
- Double labyrinth shields
- Ball retainer



### 114196-GP

- ABEC-1 Precision
- 300 lb. load rating
- Polypropylene housing
- Temperature rating -10°F / 200°F
- Front & rear seals
- Ball retainer

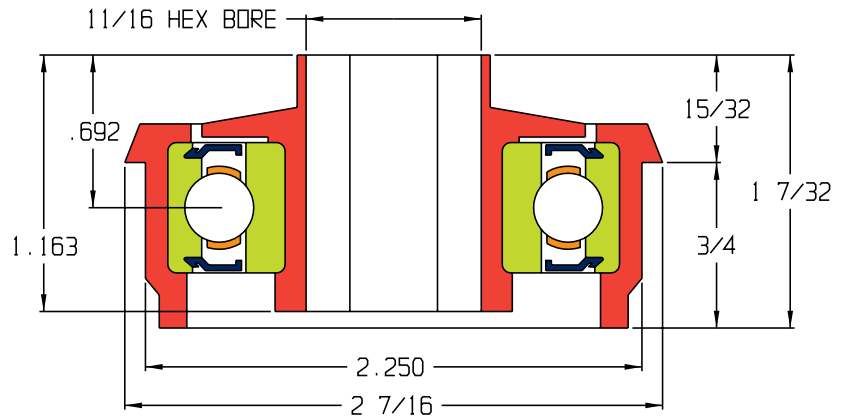




## POLYPROPYLENE HOUSED ABEC-1 PRECISION BEARINGS

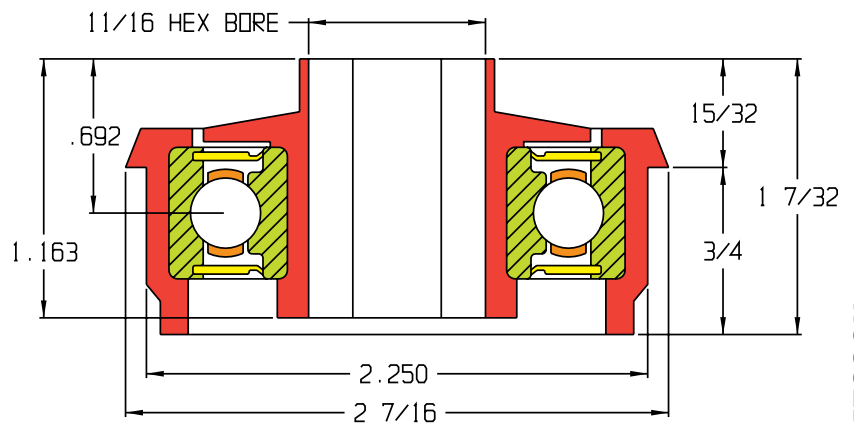
### 114202-GP

- ABEC-1 Precision
- 300 lb. load rating
- Polypropylene housing
- Temperature rating -10°F / 200°F
- Front & rear shields
- Ball retainer



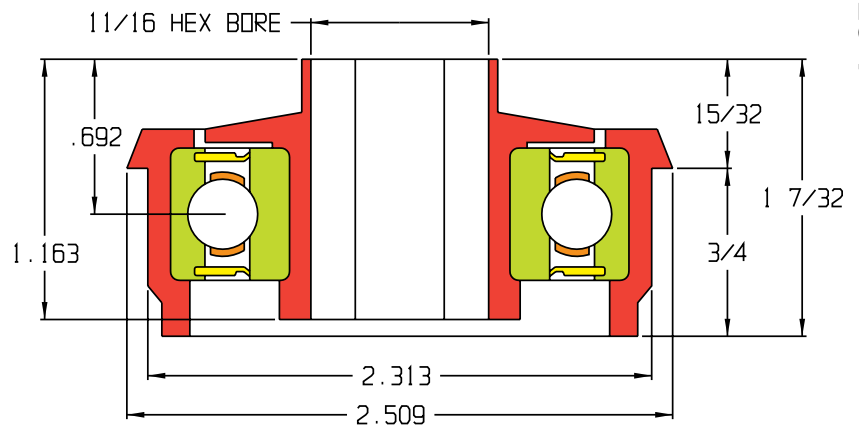
### 114237-GP

- ABEC-1 Precision
- 300 lb. load rating
- Polypropylene housing
- 440C Stainless Steel construction
- Temperature rating -10°F / 200°F
- Front & rear seals
- Ball retainer



### 114199-GP

- ABEC-1 Precision
- 300 lb. load rating
- Polypropylene housing
- Temperature rating -10°F / 200°F
- Front & rear seals
- Ball retainer



### 114205-GP

- ABEC-1 Precision
- 300 lb. load rating
- Polypropylene housing
- Temperature rating -10°F / 200°F
- Front & rear shields
- Ball retainer



POLYPROPYLENE  
HOUSED ABEC-1