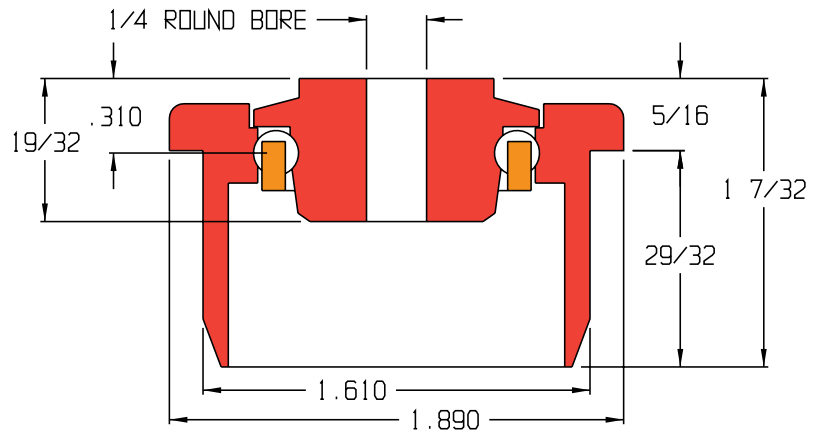


PLASTIC BEARINGS

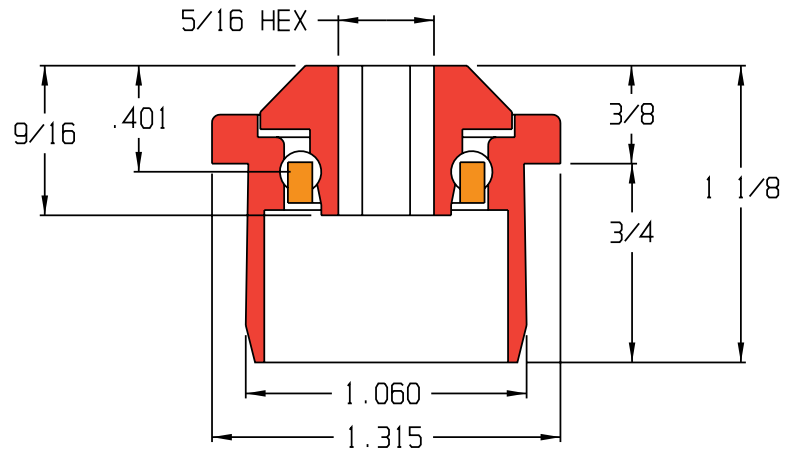
115275

- Molded plastic bodies
- 420 Stainless steel balls
- No lubrication required
- 40 lb. load rating
- Temperature rating -122°F / 212°F
- Ball retainer



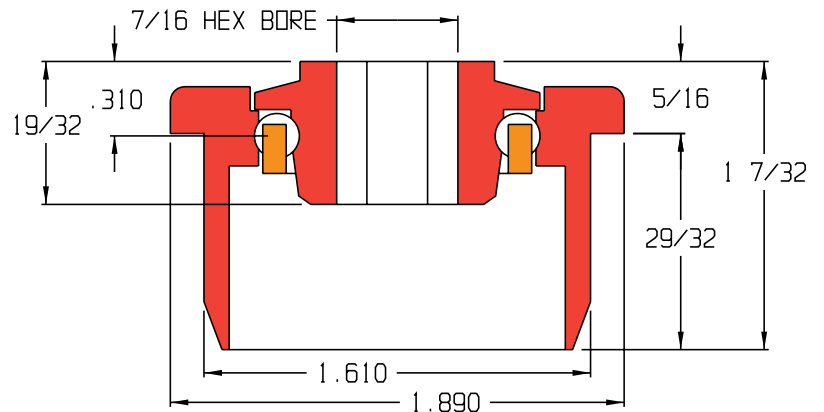
114625

- Molded plastic bodies
- 420 Stainless steel balls
- No lubrication required
- 40 lb. load rating
- Temperature rating -122°F / 212°F
- Ball retainer



114624

- Molded plastic bodies
- 420 Stainless steel balls
- No lubrication required
- 40 lb. load rating
- Temperature rating -122°F / 212°F
- Ball retainer



115178

- Molded plastic bodies
- 420 Stainless steel balls
- No lubrication required
- 69 lb. load rating
- Temperature rating up to 180°F
- Nylon ball retainer

