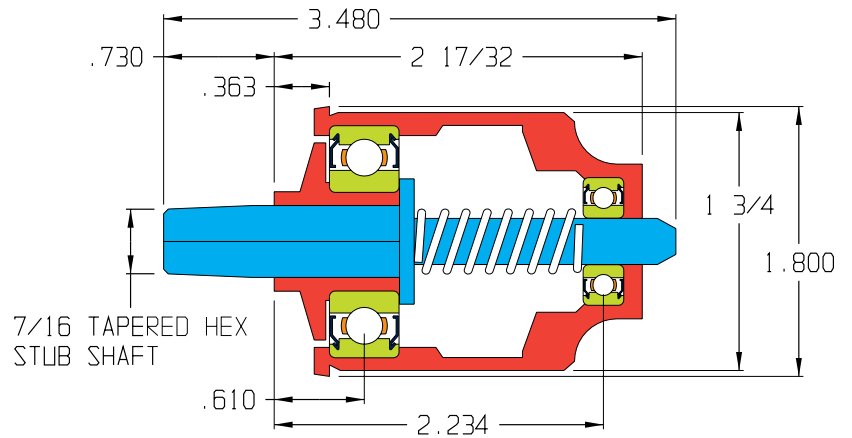


FRAMESAVER CARTRIDGES

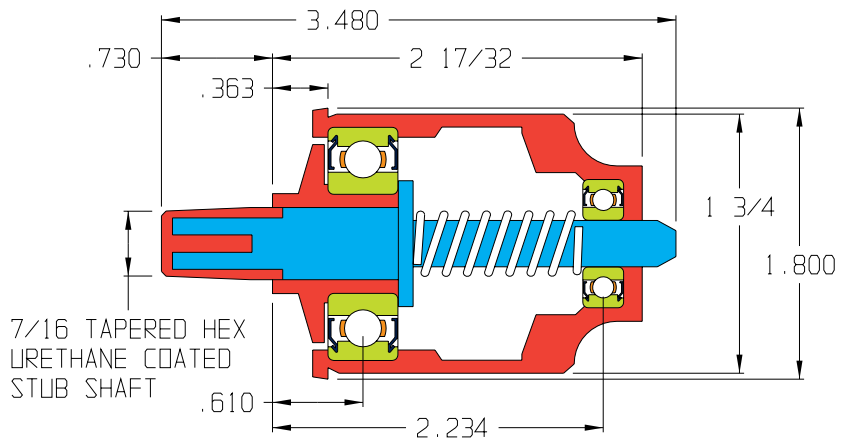
114206-GP

- (2) ABEC-1 Precision bearings
- Spring loaded stub axle
- Sintered bronze axle shaft
- Tapered hex axle shape
- Polypropylene housing
- 105 lb. load rating
- Temperature rating -10°F / 200°F
- Front & rear shields on both bearings



115270-GP

- (2) ABEC-1 Precision bearings
- Spring loaded stub axle
- Urethane coated axle shaft
- Tapered hex axle shape
- Polypropylene housing
- 105 lb. load rating
- Temperature rating -10°F / 200°F
- Front & rear shields on both bearings



115271-GP

- (2) ABEC-1 Precision bearings
- Spring loaded stub axle
- Urethane coated axle shaft
- Straight hex axle shape
- Polypropylene housing
- 105 lb. load rating
- Temperature rating -10°F / 200°F
- Front & rear shields on both bearings

