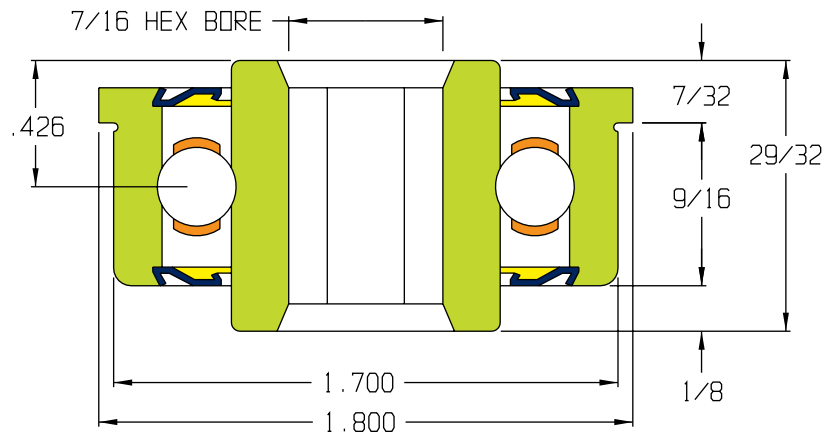


ALL METAL ABEC-1 PRECISION BEARINGS

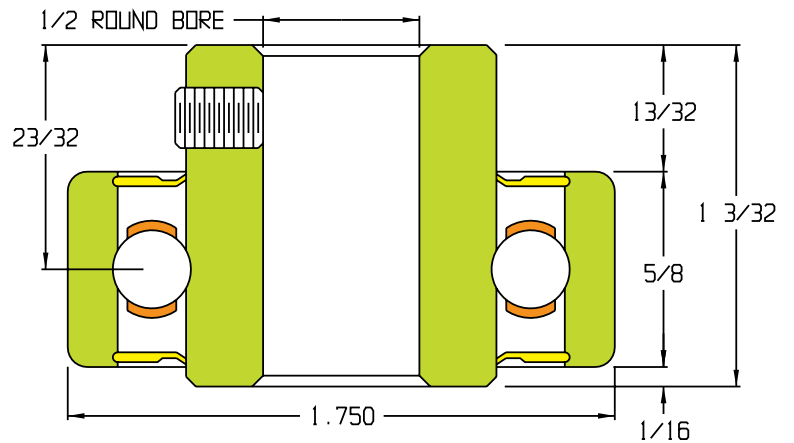
114621-GP

- ABEC-1 Precision
- Machined all metal housing
- Hardened chrome steel
- Precision ground finish
- 2150 lb. load rating
- Temperature rating -10°F / 225°F
- Front & rear seals
- Front & rear shields
- Ball retainer



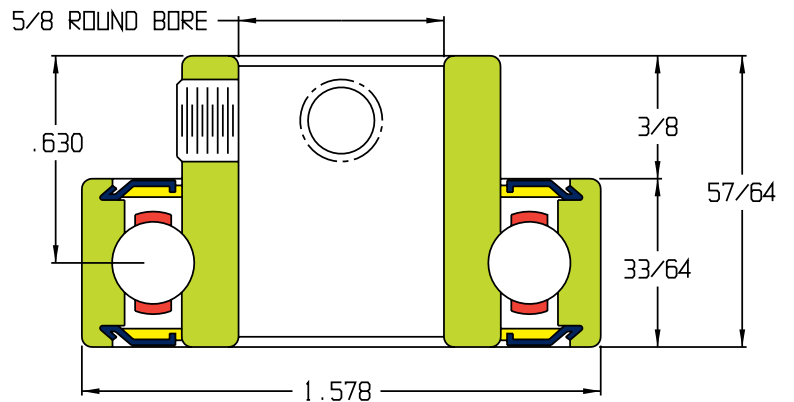
114475-GP

- ABEC-1 Precision
- Machined metal housing
- Hardened chrome steel
- Precision ground finish
- 2150 lb. load rating
- Oversized round bores
- Extended inner race with 2 set-screws
- Temperature rating -10°F / 225°F
- Front & rear nylon seals
- Ball retainer



111433-GP

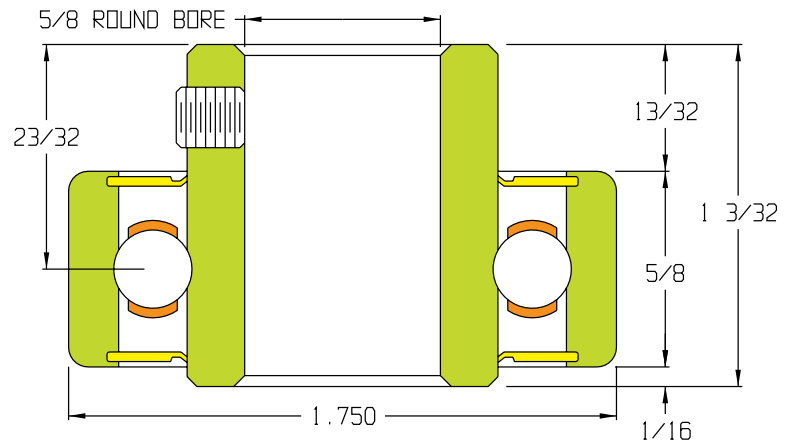
- ABEC-1 Precision
- Machined metal housing
- Hardened chrome steel
- Precision ground finish
- 2160 lb. load rating
- Oversized round bores
- Extended inner race with 2 set-screws
- Temperature rating -10°F / 225°F
- Front & rear seals
- Front & rear shields
- Ball retainer



ALL METAL ABEC-1 PRECISION BEARINGS

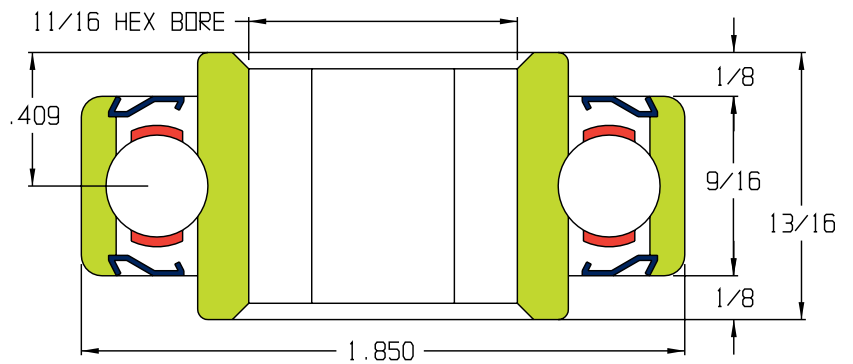
102187-GP

- ABEC-1 Precision
- Machined metal housing
- Hardened chrome steel
- Precision ground finish
- 2150 lb. load rating
- Oversized round bores
- Extended inner race with 2 set-screws
- Temperature rating -10°F / 225°F
- Front & rear synthetic rubber seal
- Ball retainer



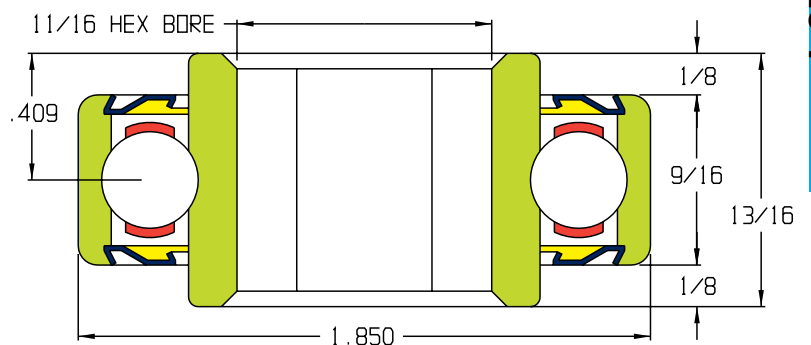
112798-O

- ABEC-1 Precision
- Machined metal housing
- Hardened chrome steel
- Precision ground finish
- 2150 lb. load rating
- Temperature rating -10°F / 225°F
- Front & rear shields
- Ball retainer



102191-GP

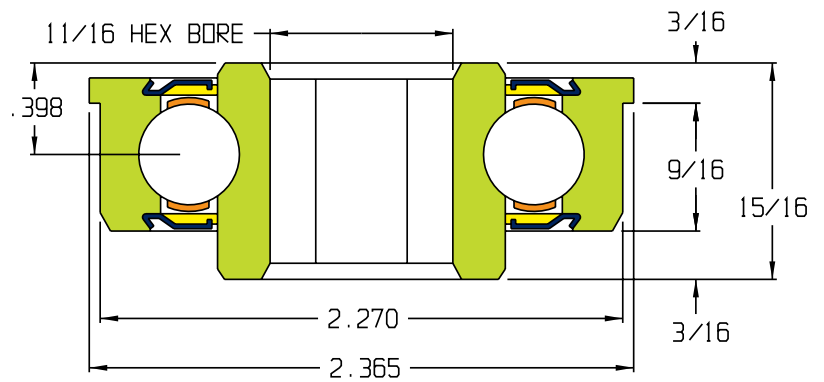
- ABEC-1 Precision
- Hardened chrome steel
- Precision ground finish
- 2150 lb. load rating
- Temperature rating -10°F / 225°F
- Front & rear seals
- Front & rear shields
- Ball retainer



ALL METAL ABEC-1 PRECISION BEARINGS

114128-GP

- ABEC-1 Precision
- Machined all metal housing
- Hardened chrome steel
- Precision ground finish
- 2845 lb. load rating
- Temperature rating -10°F / 225°F
- Front & rear seals
- Front & back shields
- Ball retainer

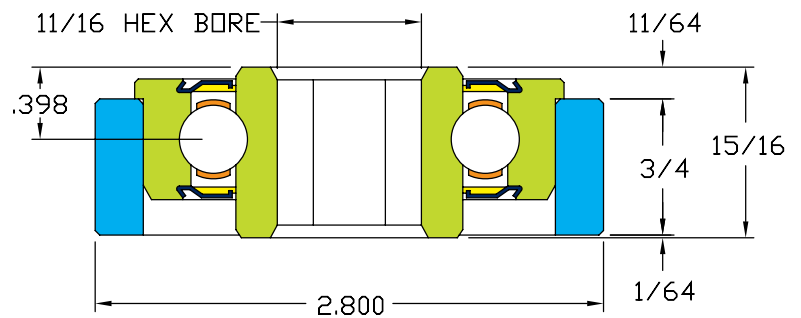


45149-GP

Bearing Part No.: 114128

Sleeve Part No.: 45133

- ABEC-1 Precision
- Machined all metal housing
- Hardened chrome steel
- Precision ground finish
- Metal adapter sleeve
- 2845 lb. load rating
- Temperature rating -10° / 225°F
- Front & rear shields
- Front & rear seals
- Ball retainer
- Replaceable

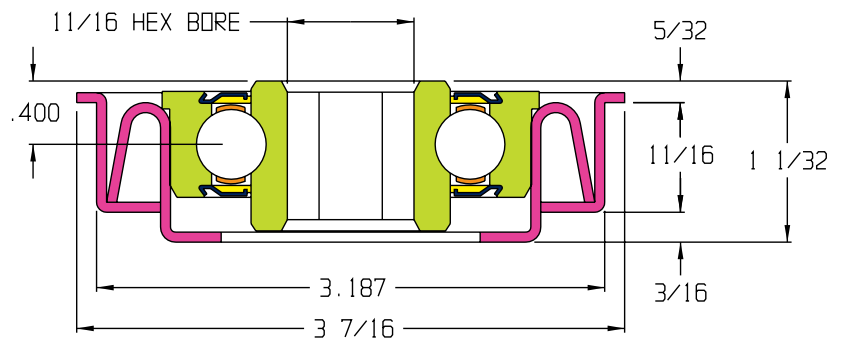


44881-GP

Bearing Part No.: 114128

Adapter No.: 102080

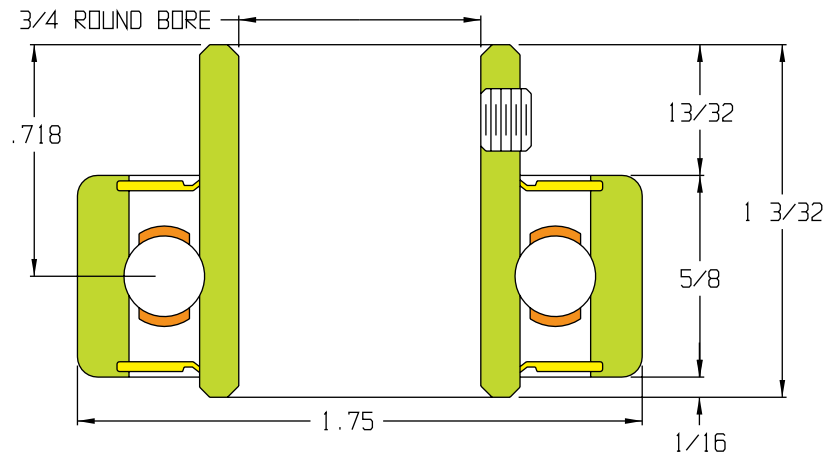
- ABEC-1 Precision
- Machined all metal housing
- Hardened chrome steel
- Precision ground finish
- Stamped metal adapter
- 2845 lb. load rating
- Temperature rating -10°F / 225°F
- Front & rear seals
- Front & back shields
- Ball retainer



ALL METAL ABEC-1 PRECISION BEARINGS

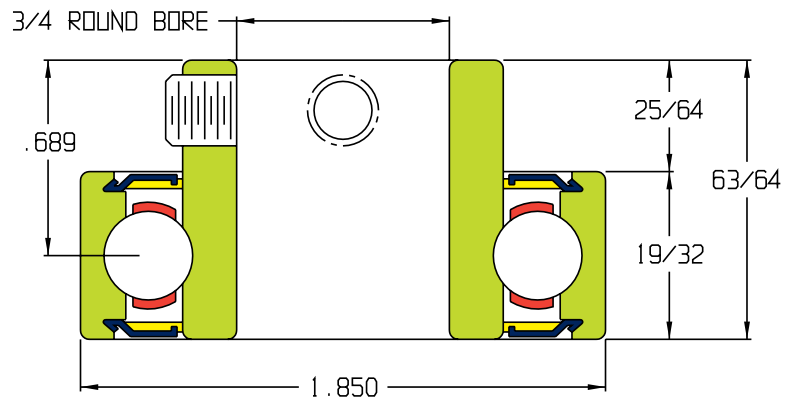
102186-GP

- ABEC-1 Precision
- Machined metal housing
- Hardened chrome steel
- Precision ground finish
- 2150 lb. load rating
- Oversized round bores
- Extended inner race with 2 set-screws
- Temperature rating -10°F / 225°F
- Front & rear synthetic rubber seals
- Ball retainer



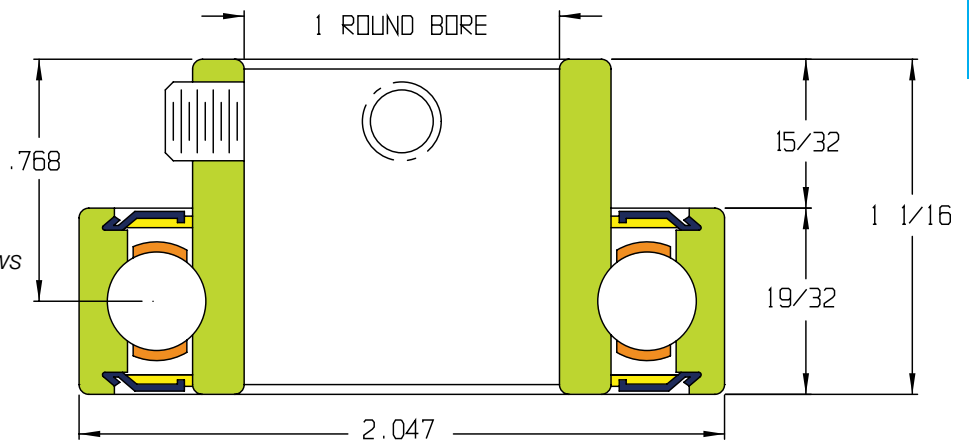
111434

- ABEC-1 Precision
- Machined metal housing
- Hardened chrome steel
- Precision ground finish
- 2900 lb. load rating
- Oversized round bores
- Extended inner race with 2 set-screws
- Temperature rating -10°F / 225°F
- Front & rear seals
- Front & rear shields
- Ball retainer



110346-GP

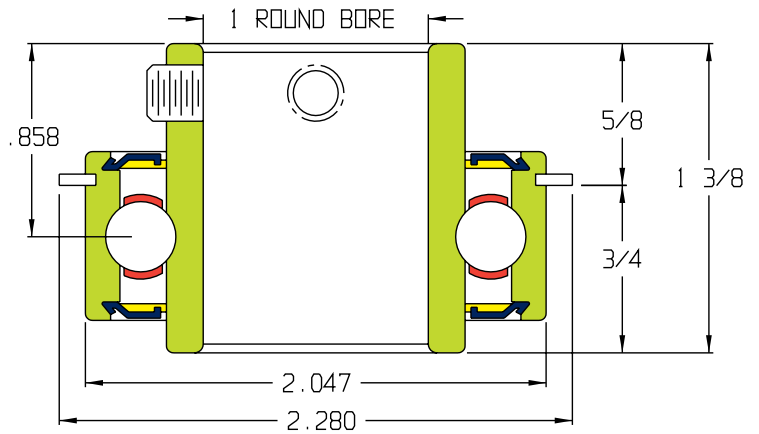
- ABEC-1 Precision
- Machined all metal housing
- Hardened chrome steel body
- Precision ground finish
- 3150 lb. load rating
- Extended inner race with 2 set-screws
- Temperature rating -10°F / 225°F
- Front & rear rubber seals
- Front & rear shields
- Ball retainer
- Replaceable



ALL METAL ABEC-1 PRECISION BEARINGS

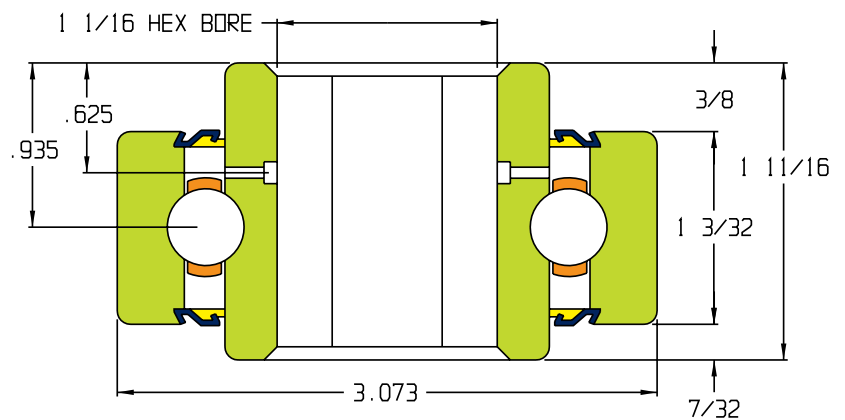
113124-GP

- ABEC-1 Precision
- Machined metal housing
- Hardened chrome steel
- Precision ground finish
- 3150 lb. load rating
- Oversized round bores
- Extended inner race with 2 set-screws
- Temperature rating -10°F / 225°F
- Front & rear seals
- Front & rear shields
- Ball retainer



114249-GP

- ABEC-1 Precision
- Machined all metal housing
- Hardened chrome steel
- Precision ground finish
- 4000 lb. load rating
- Temperature rating -10°F / 225°F
- Front & rear seals
- Front & rear shields
- Ball retainer
- Regreaseable

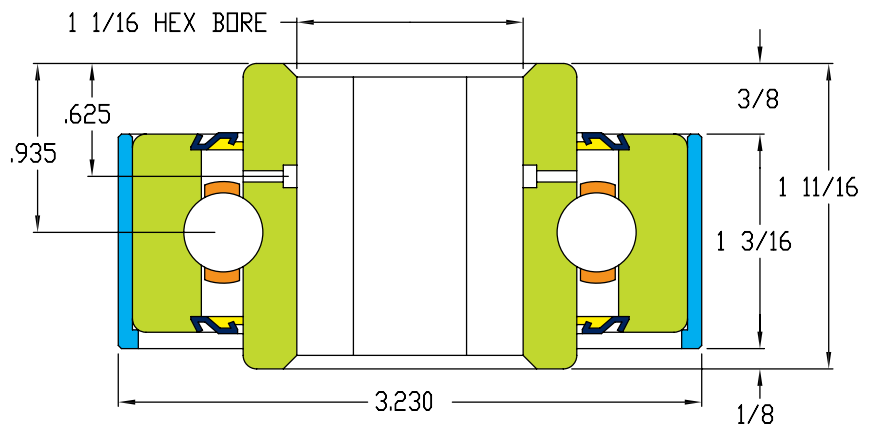


45054-GP

Bearing Part No.: 114249-GP

Sleeve Part No.: 45052

- ABEC-1 Precision
- Hardened chrome steel
- Precision ground finish
- Metal adapter sleeve
- 4000 lb. load rating
- Temperature rating -10°F / 225°F
- Front & rear seals
- Front & rear shields
- Ball retainer
- Regreaseable
- Replaceable



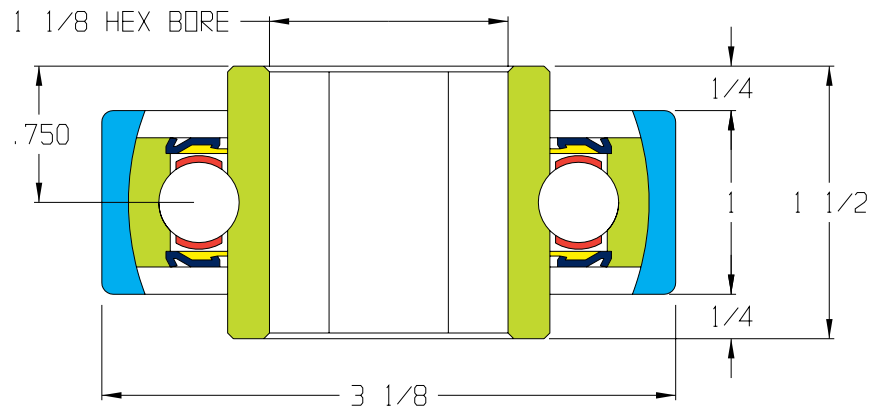
ALL METAL ABEC-1 PRECISION BEARINGS

27949

Bearing Part No.: 102220-GP

Sleeve Part No.: 24863

- ABEC-1 Precision
- Hardened chrome steel
- Precision ground finish
- Spherical all metal body
- Metal adapter sleeve
- 5770 lb. load rating
- Temperature rating -10°F / 225°F
- Front & rear synthetic rubber seals
- Front & rear shields
- Ball retainer
- Replaceable

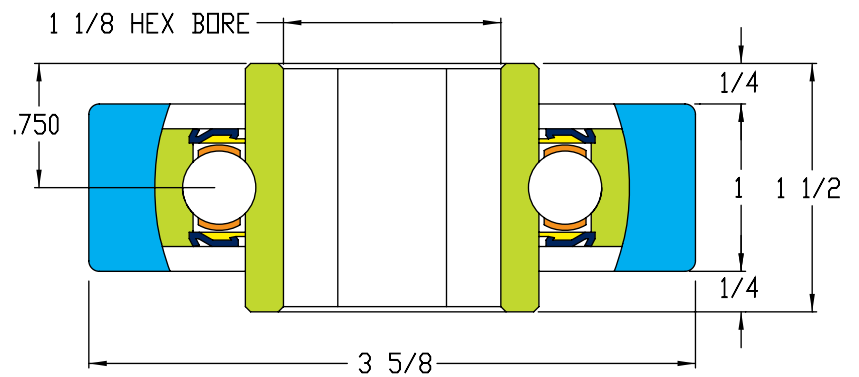


45102-GP

Bearing Part No.: 102220-GP

Sleeve Part No.: 24865

- ABEC-1 Precision
- Hardened chrome steel
- Precision ground finish
- Spherical all metal body
- Metal adapter sleeve
- 5770 lb. load rating
- Temperature rating -10°F / 225°F
- Front & rear rubber seals
- Front & rear shields
- Ball retainer
- Replaceable



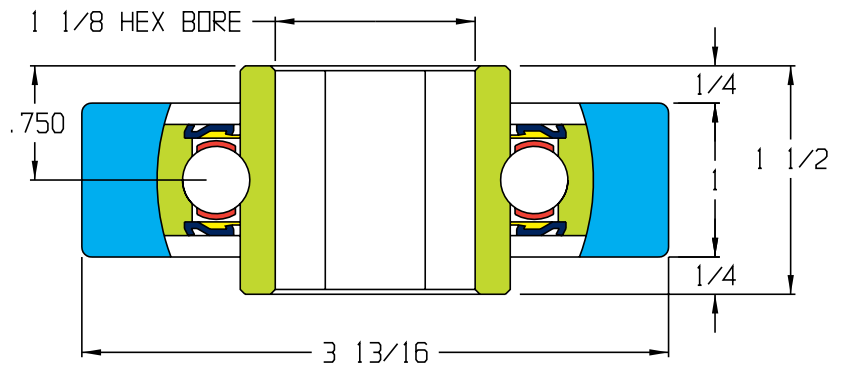
ALL METAL ABEC-1 PRECISION BEARINGS

27956

Bearing Part No.: 102220-GP

Sleeve Part No.: 27966

- ABEC-1 Precision
- Hardened chrome steel
- Precision ground finish
- Spherical all metal body
- Metal adapter sleeve
- 5770 lb. load rating
- Temperature rating -10°F / 225°F
- Front & rear synthetic rubber seal
- Front & rear shield
- Ball retainer
- Replaceable

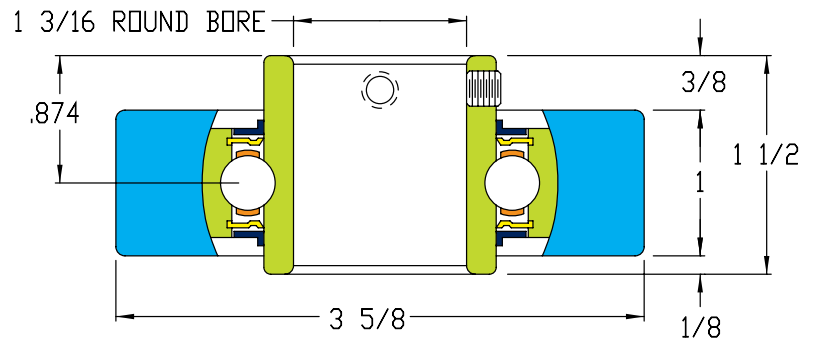


45101-GP

Bearing Part No.: 102216-GP

Sleeve Part No.: 45100

- ABEC-1 Precision
- Hardened chrome steel
- Precision ground finish
- Spherical all metal body
- Metal adapter sleeve
- Extended inner race with 2 set-screws
- 4370 lb. load rating
- Temperature rating -10°F / 225°F
- Front & rear rubber seals
- Front & rear shields
- Ball retainer
- Replaceable



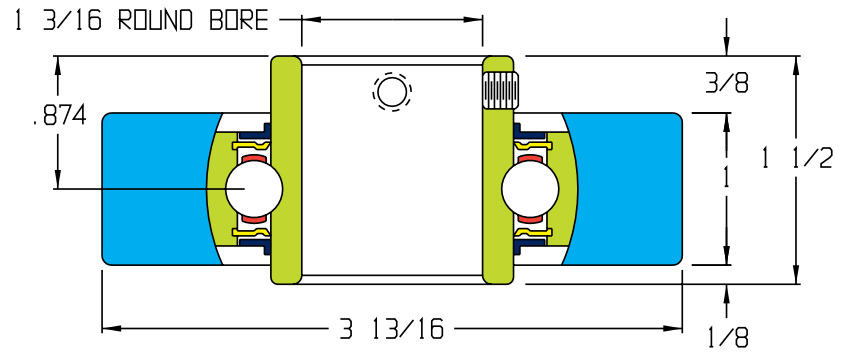
ALL METAL ABEC-1 PRECISION BEARINGS

27957

Bearing Part No.: 102216-GP

Sleeve Part No.: 27972

- ABEC-1 Precision
- Hardened chrome steel
- Precision ground finish
- Spherical all metal body
- Metal adapter sleeve
- Extended inner race with 2 set-screws
- 4370 lb. load rating
- Temperature rating -10°F / 225°F
- Front & rear synthetic rubber seals
- Front & rear shields
- Ball retainer
- Replaceable

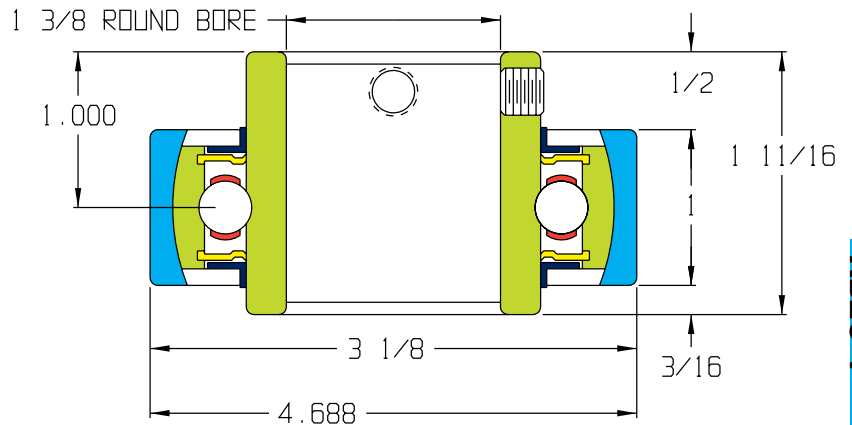


27951

Bearing Part No.: 102215-GP

Sleeve Part No.: 24863

- ABEC-1 Precision
- Hardened chrome steel
- Precision ground finish
- Spherical all metal body
- Metal adapter sleeve
- Extended inner race with 2 set-screws
- 5770 lb. load rating
- Temperature rating -10°F / 225°F
- Front & rear synthetic rubber seals
- Front & rear shields
- Ball retainer
- Replaceable



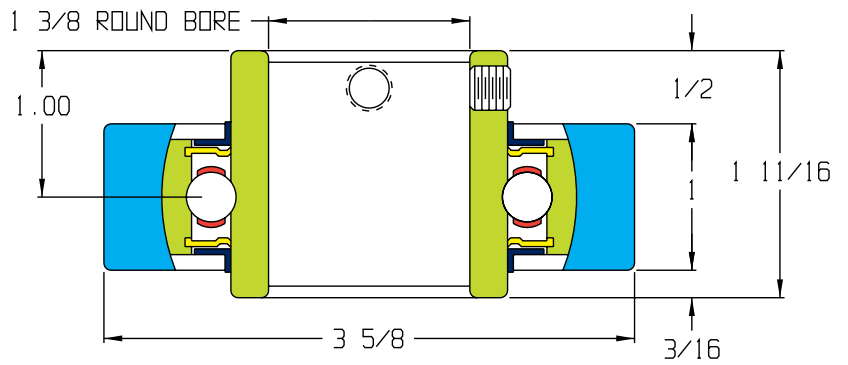
ALL METAL ABEC-1 PRECISION BEARINGS

27955

Bearing Part No.: 102215-GP

Sleeve Part No.: 24865

- ABEC-1 Precision
- Hardened chrome steel
- Precision ground finish
- Spherical all metal body
- Metal adapter sleeve
- Extended inner race with 2 set-screws
- 5770 lb. load rating
- Temperature rating -10°F / 225°F
- Front & rear synthetic rubber seals
- Front & rear shields
- Ball retainer
- Replaceable

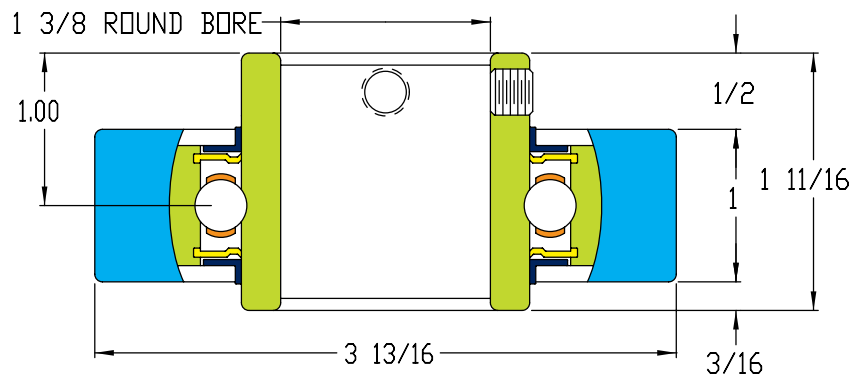


45104-GP

Bearing Part No.: 102215-GP

Sleeve Part No.: 27966

- ABEC-1 Precision
- Hardened chrome steel
- Precision ground finish
- Spherical all metal body
- Metal adapter sleeve
- Extended inner race with 2 set-screws
- 5770 lb. load rating
- Temperature rating -10°F / 225°F
- Front & rear rubber seals
- Front & rear shields
- Ball retainer
- Replaceable



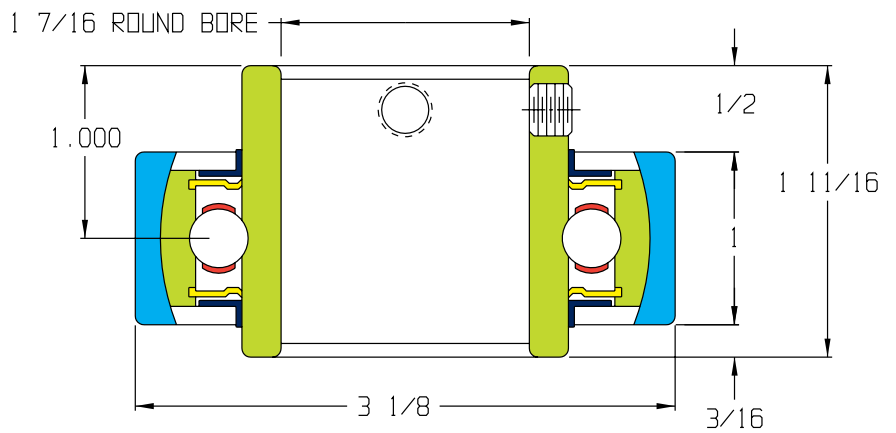
ALL METAL ABEC-1 PRECISION BEARINGS

24862

Bearing Part No.: 102147-GP

Sleeve Part No.: 24863

- ABEC-1 Precision
- Hardened chrome steel
- Precision ground finish
- Spherical all metal body
- Metal adapter sleeve
- Extended inner race with 2 set-screws
- 5770 lb. load rating
- Temperature rating -10°F / 225°F
- Front & rear synthetic rubber seals
- Front & rear shields
- Ball retainer
- Replaceable

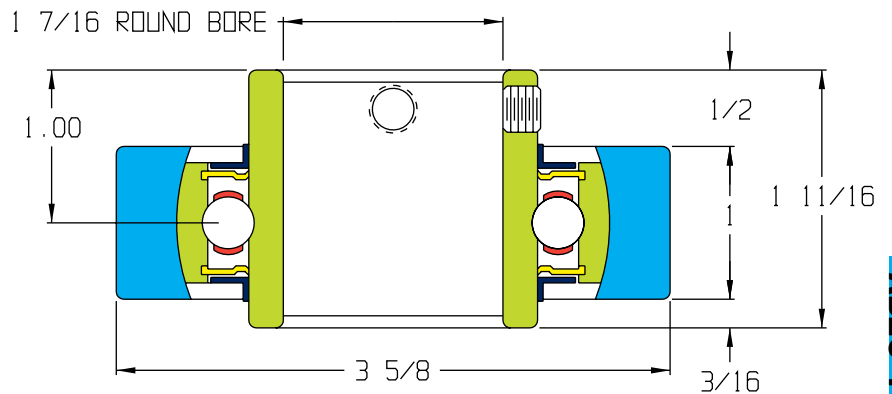


24864

Bearing Part No.: 102147-GP

Sleeve Part No.: 24865

- ABEC-1 Precision
- Hardened chrome steel
- Precision ground finish
- Spherical all metal body
- Metal adapter sleeve
- Extended inner race with 2 set-screws
- 5770 lb. load rating
- Temperature rating -10°F / 225°F
- Front & rear synthetic rubber seals
- Front & rear shields
- Ball retainer
- Replaceable



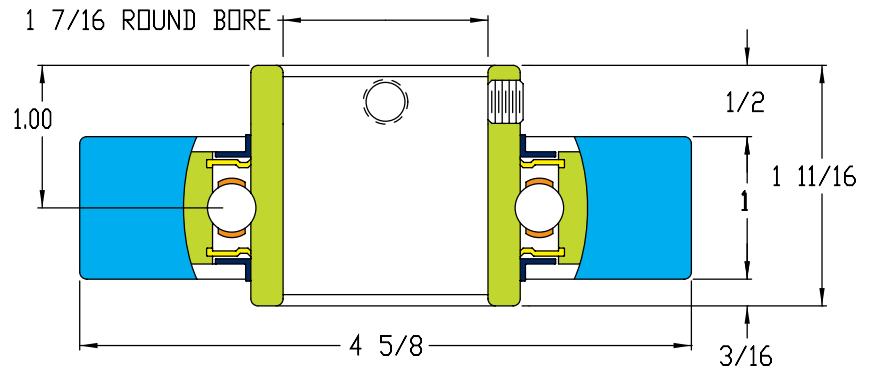
ALL METAL ABEC-1 PRECISION BEARINGS

45103-GP

Bearing Part No.: 102147-GP

Sleeve Part No.: 27966

- ABEC-1 Precision
- Hardened chrome steel
- Precision ground finish
- Spherical all metal body
- Metal adapter sleeve
- Extended inner race with 2 set-screws
- 5770 lb. load rating
- Temperature rating -10°F / 225°F
- Front & rear rubber seals
- Front & rear shields
- Ball retainer
- Replaceable

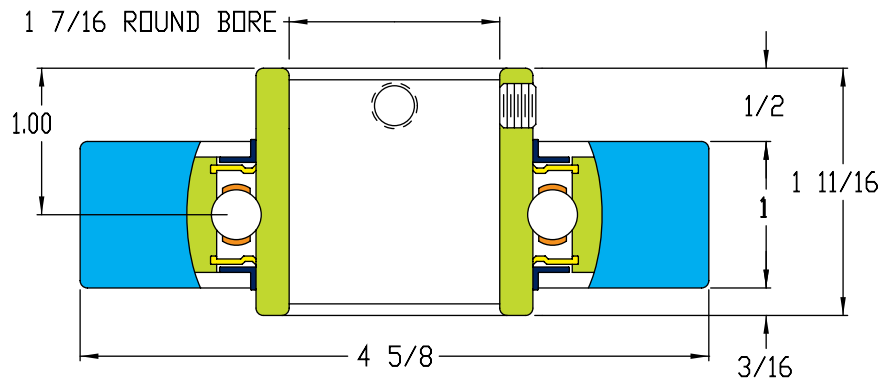


45082-GP

Bearing Part No.: 102147-GP

Sleeve Part No.: 45078

- ABEC-1 Precision
- Hardened chrome steel
- Precision ground finish
- Spherical all metal body
- Metal adapter sleeve
- Extended inner race with 2 set-screws
- 5770 lb. load rating
- Temperature rating -10°F / 225°F
- Front & rear rubber seals
- Front & rear shields
- Ball retainer
- Replaceable



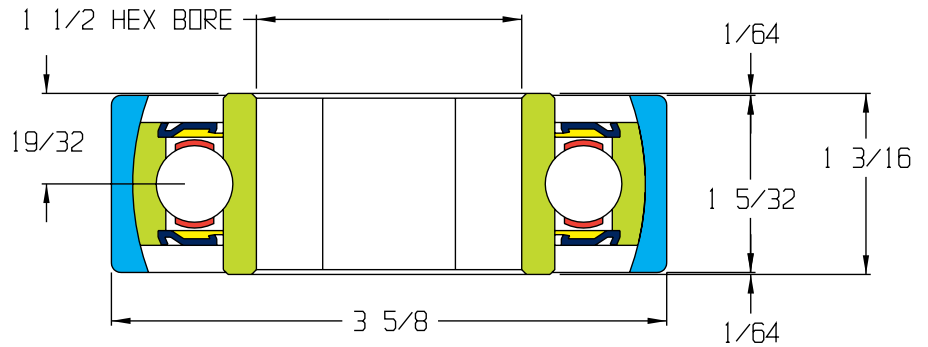
ALL METAL ABEC-1 PRECISION BEARINGS

27953

Bearing Part No.: 102222-GP

Sleeve Part No.: 26839

- ABEC-1 Precision
- Machined all metal housing
- Hardened chrome steel
- Precision ground finish
- Spherical body with adapter sleeve
- 7350 lb. load rating
- Temperature rating -10°F / 225°F
- Front & rear synthetic rubber seals
- Front & rear shields
- Ball retainer
- Replaceable

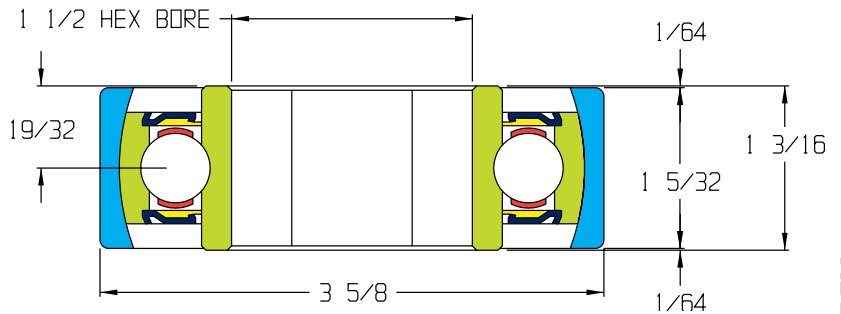


27958

Bearing Part No.: 102222-GP

Sleeve Part No.: 27967

- ABEC-1 Precision
- Hardened chrome steel
- Precision ground finish
- Spherical all metal body
- Metal adapter sleeve
- 7350 lb. load rating
- Temperature rating -10°F / 225°F
- Front & rear synthetic rubber seals
- Front & rear shields
- Ball retainer
- Replaceable



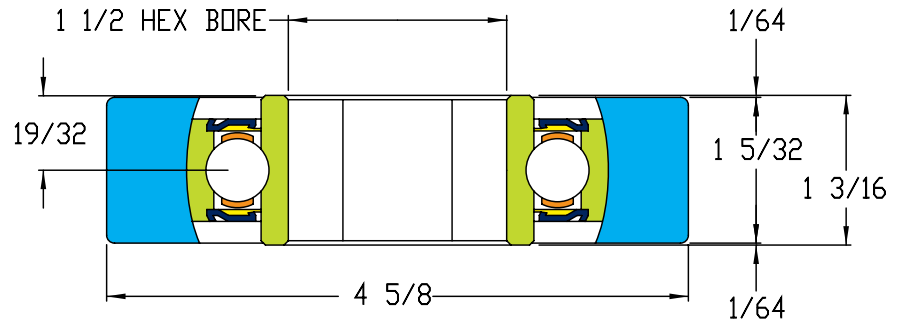
ALL METAL ABEC-1 PRECISION BEARINGS

45081-GP

Bearing Part No.: 102222-GP

Sleeve Part No.: 45079

- ABEC-1 Precision
- Hardened chrome steel
- Precision ground finish
- Spherical all metal body
- Metal adapter sleeve
- 7350 lb. load rating
- Temperature rating -10°F / 225°F
- Front & rear rubber seals
- Front & rear shields
- Ball retainer
- Replaceable

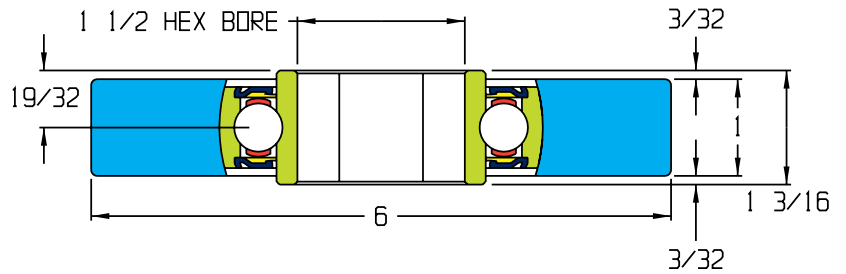


27963

Bearing Part No.: 102222-GP

Sleeve Part No.: 27970

- ABEC-1 Precision
- Hardened chrome steel
- Precision ground finish
- Spherical all metal body
- Metal adapter sleeve
- 7350 lb. load rating
- Temperature rating -10°F / 225°F
- Front & rear synthetic rubber seals
- Front & rear shields
- Ball retainer
- Replaceable



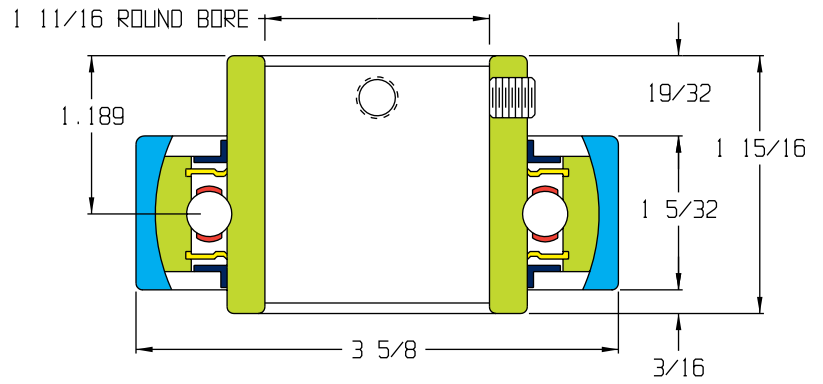
ALL METAL ABEC-1 PRECISION BEARINGS

26838

Bearing Part No.: 102165-GP

Sleeve Part No.: 26839

- ABEC-1 Precision
- Hardened chrome steel
- Precision ground finish
- Spherical all metal body
- Metal adapter sleeve
- Extended inner race with 2 set-screws
- 7350 lb. load rating
- Temperature rating -10°F / 225°F
- Front & rear synthetic rubber seals
- Front & rear shields
- Ball retainer
- Replaceable

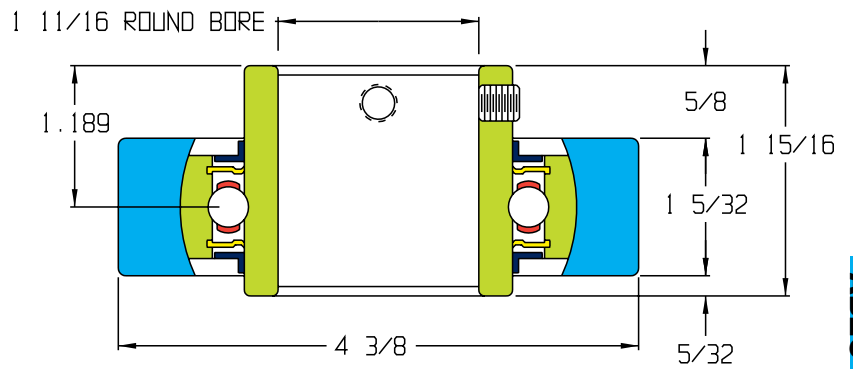


27959

Bearing Part No.: 102165-GP

Sleeve Part No.: 27967

- ABEC-1 Precision
- Hardened chrome steel
- Precision ground finish
- Spherical all metal body
- Metal adapter sleeve
- Extended inner race with 2 set-screws
- 7350 lb. load rating
- Temperature rating -10°F / 225°F
- Front & rear synthetic rubber seals
- Front & rear shields
- Ball retainer
- Replaceable



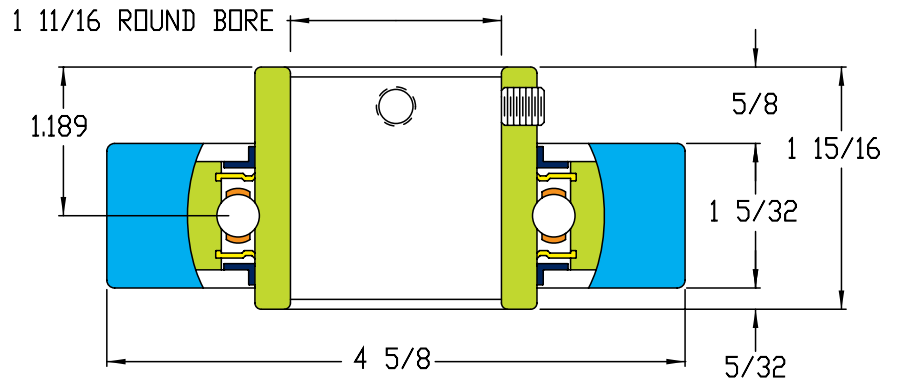
ALL METAL ABEC-1 PRECISION BEARINGS

45080-GP

Bearing Part No.: 102165-GP

Sleeve Part No.: 45079

- ABEC-1 Precision
- Hardened chrome steel
- Precision ground finish
- Spherical all metal body
- Metal adapter sleeve
- Extended inner race with 2 set-screws
- 7350 lb. load rating
- Temperature rating -10°F / 225°F
- Front & rear rubber seals
- Front & rear shields
- Ball retainer
- Replaceable

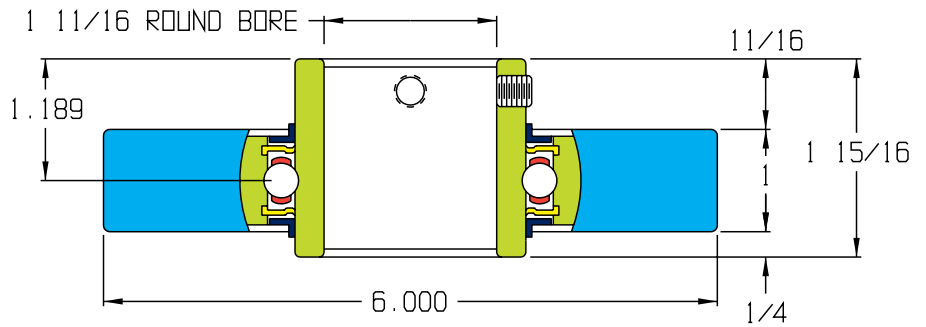


27964

Bearing Part No.: 102165-GP

Sleeve Part No.: 27970

- ABEC-1 Precision
- Hardened chrome steel
- Precision ground finish
- Spherical all metal body
- Metal adapter sleeve
- Extended inner race with 2 set-screws
- 7350 lb. load rating
- Temperature rating -10°F / 225°F
- Front & rear synthetic rubber seals
- Front & rear shields
- Ball retainer
- Replaceable



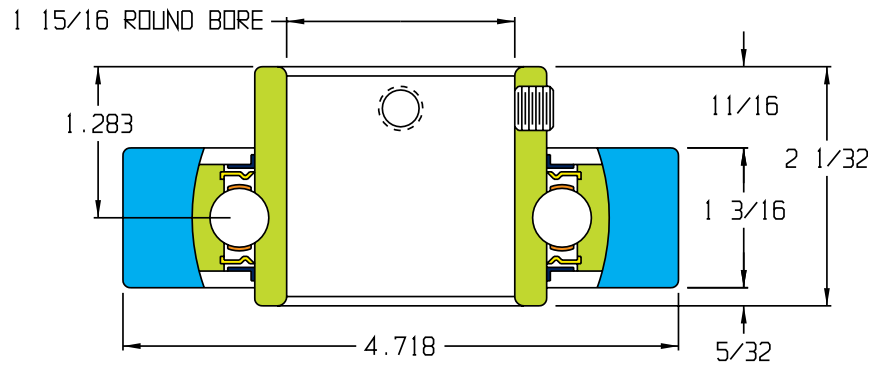
ALL METAL ABEC-1 PRECISION BEARINGS

27960

Bearing Part No.: 102217-GP

Sleeve Part No.: 27968

- ABEC-1 Precision
- Hardened chrome steel
- Precision ground finish
- Spherical all metal body
- Metal adapter sleeve
- Extended inner race with 2 set-screws
- 7880 lb. load rating
- Temperature rating -10°F / 225°F
- Front & rear synthetic rubber seals
- Front & rear shields
- Ball retainer
- Replaceable

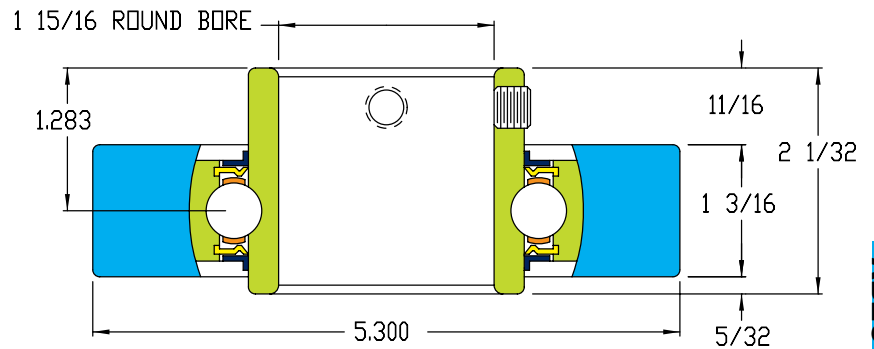


45067-GP

Bearing Part No.: 102217-GP

Sleeve Part No.: 45065

- ABEC-1 Precision
- Hardened chrome steel
- Precision ground finish
- Spherical all metal body
- Metal adapter sleeve
- 7880 lb. load rating
- Extended inner race with 2 set-screws
- Temperature rating -10°F / 225°F
- Front & rear rubber seals
- Front & rear shields
- Ball retainer
- Replaceable



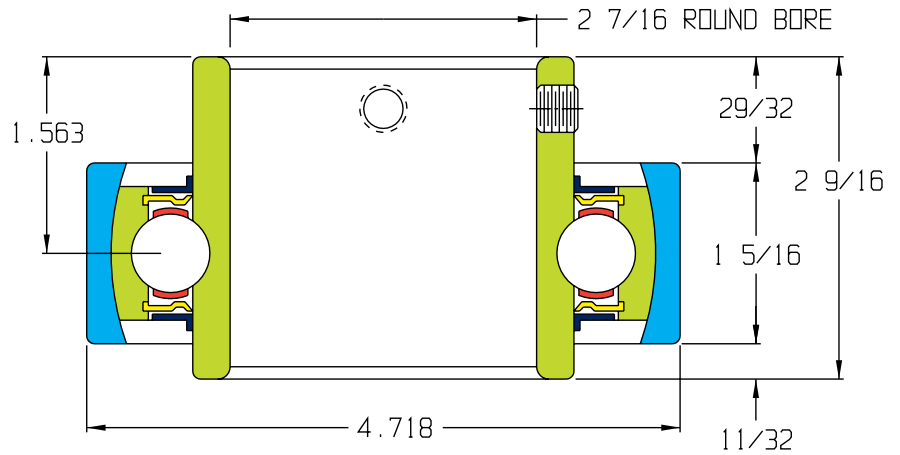
ALL METAL ABEC-1 PRECISION BEARINGS

27962

Bearing Part No.: 102218-GP

Sleeve Part No.: 27969

- ABEC-1 Precision
- Hardened chrome steel
- Precision ground finish
- Spherical all metal body
- Metal adapter sleeve
- Extended inner race with 2 set-screws
- 13980 lb. load rating
- Temperature rating -10°F / 225°F
- Front & rear synthetic rubber seals
- Front & rear shields
- Ball retainer
- Replaceable

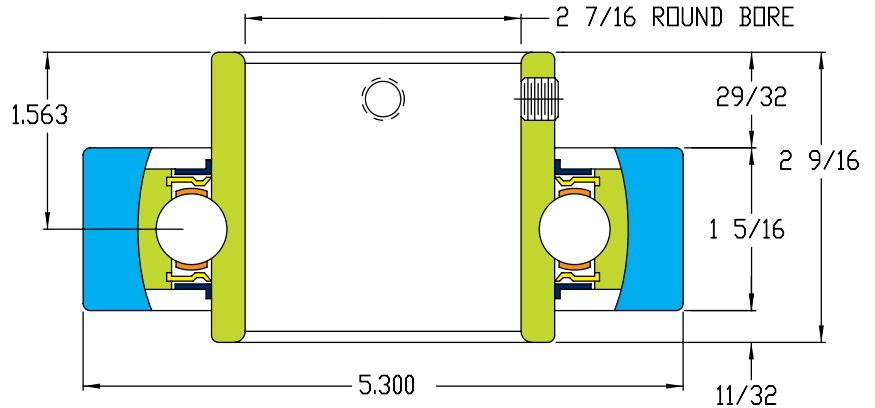


45068-GP

Bearing Part No.: 102218-GP

Sleeve Part No.: 45066

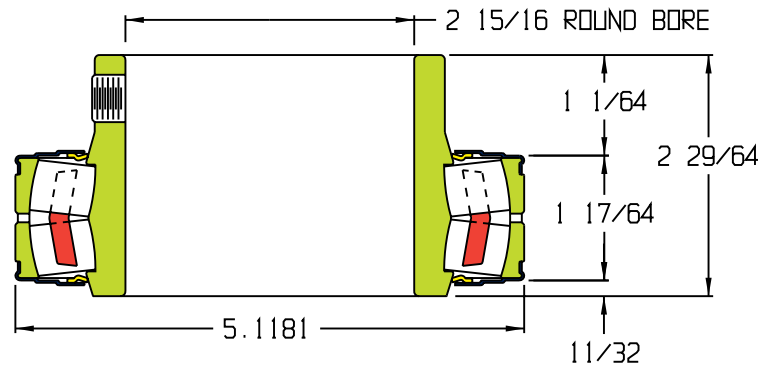
- ABEC-1 Precision
- Hardened chrome steel
- Precision ground finish
- Spherical all metal body
- Metal adapter sleeve
- Extended inner race with 2 set-screws
- 13980 lb. load rating
- Temperature rating -10°F / 225°F
- Front & rear rubber seals
- Front & rear shields
- Ball retainer
- Replaceable



ALL METAL ABEC-1 PRECISION BEARINGS

102203-GP

- ABEC-1 Precision
- Machined metal housing
- Hardened chrome steel
- Precision ground finish
- Double row of rolling elements
- 41500 lb. load rating
- Extended inner race with 2 set-screws
- Front & rear nylon seals
- Front & rear shields
- Ball retainer

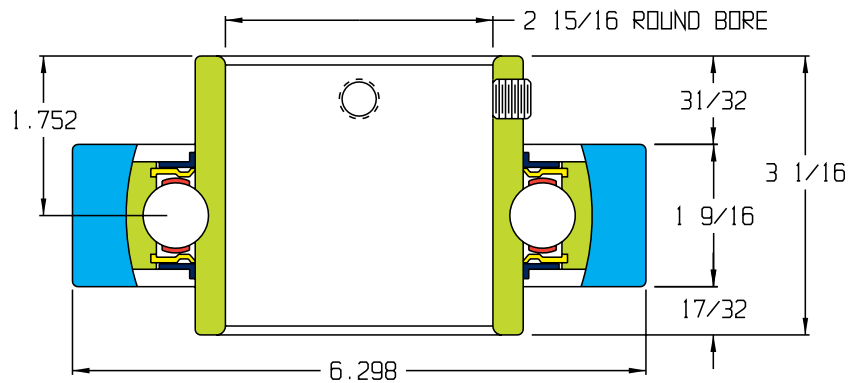


27965

Bearing Part No.: 102219-GP

Sleeve Part No.: 27971

- ABEC-1 Precision
- Hardened chrome steel
- Precision ground finish
- Spherical all metal body
- Metal adapter sleeve
- Extended inner race with 2 set-screws
- 14830 lb. load rating
- Temperature rating -10°F / 225°F
- Front & rear synthetic rubber seals
- Front & rear shields
- Ball retainer
- Replaceable



102204-GP

- ABEC-1 Precision
- Machined metal housing
- Hardened chrome steel
- Precision ground finish
- Double row of rolling elements
- 64000 lb. load rating
- Extended inner race with 2 set-screws
- Front & rear nylon seals
- Front & rear shields
- Ball retainer

